

Normandy

NOSK23

Normandy 15 3/4" x 11 13/16" x 5 7/16" Hammered Copper
Oval Bar Sink with Center Drain



SHOWN IN NORMANDY 15 3/4" X 11 13/16" X 5 7/16" HAMMERED COPPER OVAL BAR SINK WITH CENTER DRAIN | NOSK23

TECHNICAL DETAILS

ADA Compliance: When installed per ADA guidelines
 Bowl Shape: Oval
 Depth/Width: 300 mm
 Drain Hole Depth: 3 mm
 Drain Hole Diameter: 51 mm
 Drain Style: Center Drain
 Garbage Disposal: N
 Height: 138 mm
 Installation Type: Drop In or Undermount
 Length: 400 mm
 Number Of Holes: One Hole
 Outer Rim Shape: Oval
 Primary Material: Hammered Copper
 Sound Proofing: N
 Suggested Application: Bar, Kitchen, Laundry

INSPIRATION

Modeled after antique French copper cookware, each Normandy sink is hammered and polished by hand according to old French tradition. The process involves over 40 steps and countless hours of craftsmanship, creating strikingly authentic, one-of-a-kind designs.

CODES & STANDARDS

PRODUCT FEATURES

16 Gauge lead free pure red copper

Hand Hammered and hand polished

All Normandy kitchen sinks with 3 1/2" drain can be used with garbage disposals or 3 1/2" kitchen drain(UNKS30). Bar sinks require 2 1/2" bar drains(UNKS15).

A copper sink will patina and age to a unique, individual appearance which reflects its handmade heritage.

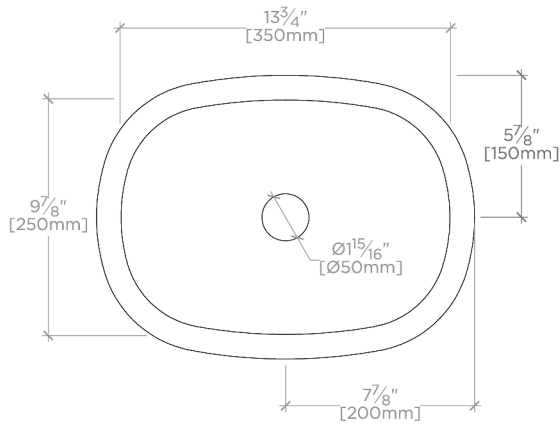
CERTIFICATIONS

Dimensions of sinks are nominal and are subject to slight variation.
PRODUCT (NOTES)

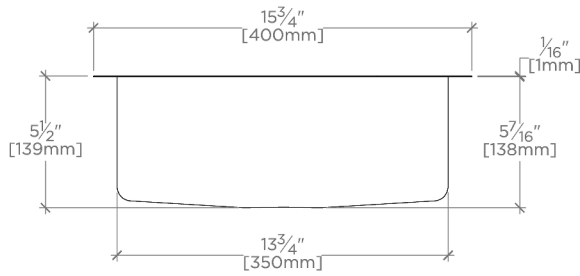
Normandy

NOSK23

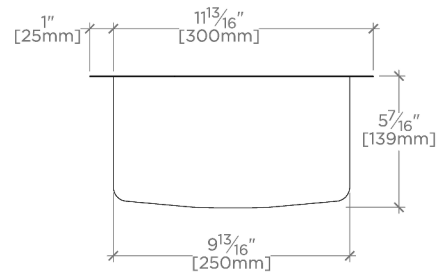
Normandy 15 3/4" x 11 13/16" x 5 7/16" Hammered Copper
Oval Bar Sink with Center Drain



TOP VIEW SCALE: 1 1/2"=1'-0"



FRONT VIEW SCALE: 1 1/2"=1'-0"



SIDE VIEW SCALE: 1 1/2"=1'-0"