

## Universal

UNS144

Universal 3 1/2" Showerhead with Adjustable Spray with 6" Wall Mounted 45 Degree Shower Arm and Low Profile Classic Flange



SHOWN IN UNIVERSAL 3 1/2" SHOWERHEAD WITH ADJUSTABLE SPRAY WITH 6" WALL MOUNTED 45 DEGREE SHOWER ARM AND LOW PROFILE CLASSIC FLANGE | UNS144

### TECHNICAL DETAILS

Adjustable Versus Fixed Spray: Adjustable Spray  
 Fittings Hole Diameter: 32 mm  
 Flow Restriction Options: 1.5, 1.75, 2.0  
 Inlet Connection Size: 1/2"  
 Inlet Connection Type: Male NPT  
 Pivot: Y  
 Primary Material: Brass  
 Restricted Maximum Flow Rate: 6.6 liters/min  
 Water Pressure Maximum: 6.0 bar  
 Water Pressure Minimum: 1.5 bar  
 Water Pressure Recommended: 3.0 bar

### INSPIRATION

Our Universal collection features timeless designs complementing any of our Waterworks. With a wide range of product, from fittings to accessories, Universal adds exquisite proportion and balance to any environment.

### CODES & STANDARDS

UNS144X, ASME A112.18.1/CSA B125.1, CEC(1.5GPM & 1.75GPM Only), WaterSense(1.5GPM, 1.75GPM & 2.0GPM Only), DOE, State of MA

### PRODUCT FEATURES

- Made of Brass
- Features a swivel 3 1/2" showerhead with two adjustable spray patterns
- Includes a 6" wall mounted 45 degree shower arm
- Stocked in Brass, Chrome and Nickel
- Showerhead available in 1.75gpm (6.6L/min) flow rate

### CERTIFICATIONS

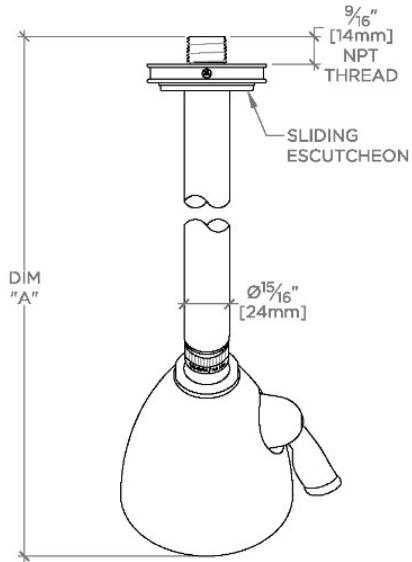


### PRODUCT (NOTES)

## Universal

## UNS144

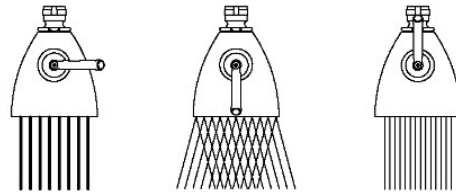
Universal 3 1/2" Showerhead with Adjustable Spray with 6" Wall Mounted 45 Degree Shower Arm and Low Profile Classic Flange



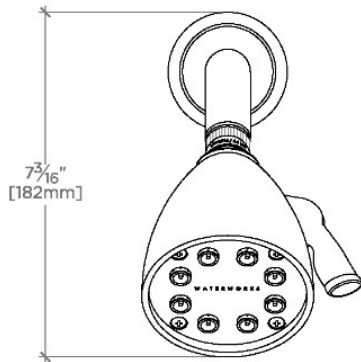
TOP VIEW

SCALE: 3"=1'-0"

STYLE NO.	DIM "A"	DIM "B"
UNS144	10 <sup>7</sup> / <sub>8</sub> " [276mm]	6 <sup>1</sup> / <sub>4</sub> " [158mm]
UNS145	12 <sup>7</sup> / <sub>8</sub> " [326mm]	8 <sup>3</sup> / <sub>4</sub> " [209mm]

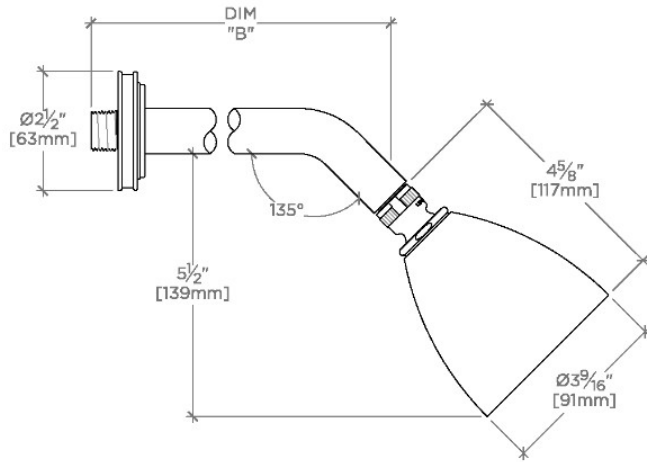


SPRAY PATTERNS



FRONT VIEW

SCALE: 3"=1'-0"



SIDE VIEW

SCALE: 3"=1'-0"