

ETOILE

ETS165

Etoile 6" Showerhead with 8" Wall Mounted 45 Degree Shower Arm



SHOWN IN ETOILE 6" SHOWERHEAD WITH 8" WALL MOUNTED 45 DEGREE SHOWER ARM | ETS165

TECHNICAL DETAILS

Adjustable Versus Fixed Spray: Fixed
 Fittings Hole Diameter: 1 1/4"
 Flow Restriction Options: 1.5, 1.75, 2.0
 Inlet Connection Size: 1/2"
 Inlet Connection Type: Male NPT
 Pivot: Y
 Primary Material: Brass
 Restricted Maximum Flow Rate: 1.75 gpm
 Water Pressure Maximum: 85.0 psi
 Water Pressure Minimum: 20.0 psi
 Water Pressure Recommended: 45.0 psi

INSPIRATION

Defined elegance. Etoile has a European sophistication with a timeless sense of chic.

CODES & STANDARDS

ETS165X, ASME A112.18.1/CSA B125.1, CEC(1.5GPM & 1.75GPM Only), WaterSense(1.5GPM, 1.75GPM & 2.0GPM Only), DOE, State of MA

PRODUCT FEATURES

- Made of Brass
- Features a swivel 6" showerhead with easy clean rubber nozzles
- Includes a 8" wall mounted 45 degree shower arm
- Stocked in Brass, Chrome, Nickel and Matte Nickel
- Showerhead available in 1.75gpm (6.6L/min) flow rate

CERTIFICATIONS



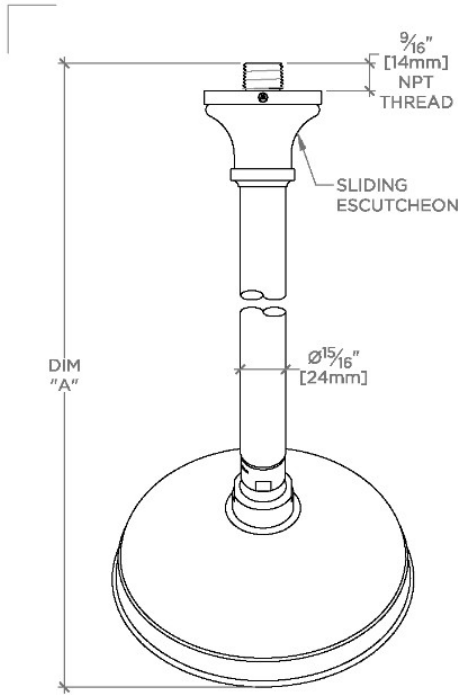
PRODUCT (NOTES)

WATERWORKS

ETOILE

ETS165

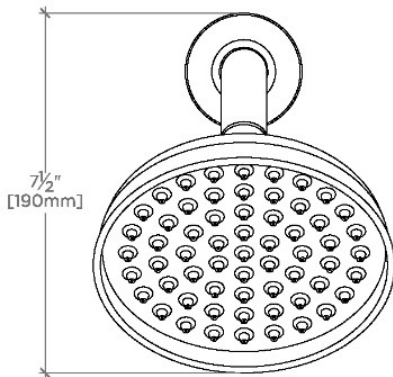
Etoile 6" Showerhead with 8" Wall Mounted 45 Degree Shower Arm



TOP VIEW

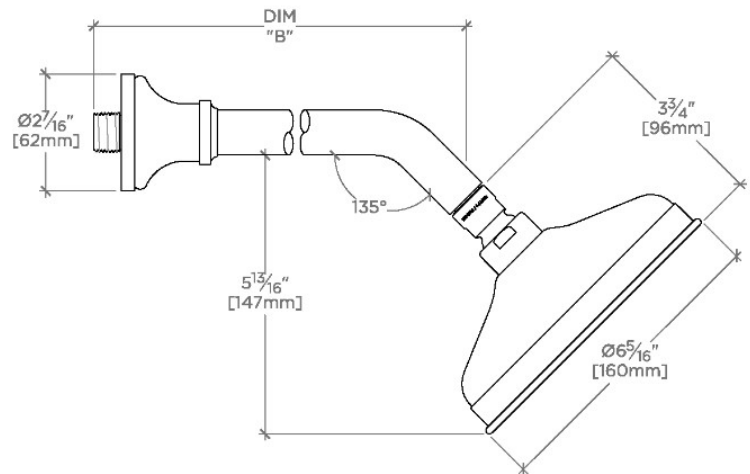
SCALE: 3"=1'-0"

STYLE NO.	DIM "A"	DIM "B"
ETS165		
FRS165	13 1/8" [334mm]	8 1/4" [209mm]
JUS165		
ETS166		
FRS166	15 1/8" [384mm]	10 1/4" [260mm]
JUS166		



FRONT VIEW

SCALE: 3"=1'-0"



SIDE VIEW

SCALE: 3"=1'-0"