

ViaWorks

GU65DV

ViaWorks Three Way Diverter Valve for Pressure Balance Shower Systems



SHOWN IN VIAWORKS THREE WAY DIVERTER VALVE FOR PRESSURE BALANCE SHOWER SYSTEMS | GU65DV

TECHNICAL DETAILS

ADA Compliance: When installed per ADA guidelines
 Depth/Width: 162 mm
 Fittings Hole Diameter: 64 mm
 Handle Turn Angle: Quarter Turn Each Way
 Height: 92 mm
 Inlet Connection Size: 1/2"
 Inlet Connection Type: Female G/BSPP
 Length: 92 mm
 Outlet Connection Size: 1/2"
 Outlet Connection Type: Female G/BSPP
 Primary Material: Brass
 Suggested Application: Bath
 Valve Material: Ceramic
 Water Pressure Maximum: 6.0 bar
 Water Pressure Minimum: 1.5 bar
 Water Pressure Recommended: 3.0 bar

INSPIRATION

The ViaWorks collection encompasses all Waterworks valves, which are just as impeccably engineered as our legendary fittings and the finest the industry has to offer in terms of performance, features and functionality. ViaWorks valves are engineered with more than three generations of bath and kitchen expertise, each with installers and lifelong service in mind.

CODES & STANDARDS

Code # : Complies with ASME A112.18.1/CSA B125.

PRODUCT FEATURES

- For use with Pressure Balance systems with three-way diverter valve trims
- 1/2" NPT female inlet and outlet with quarter turn functionality
- 16 gpm (gallons per minute) unrestricted maximum flow at 60 psi
- Custom tile guard ensures precise tiling, while providing accessibility in servicing the valve.
- Made in Europe of Brass Construction

CERTIFICATIONS

PRODUCT (NOTES)

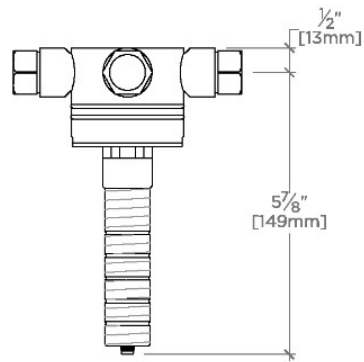
WATERWORKS

ViaWorks

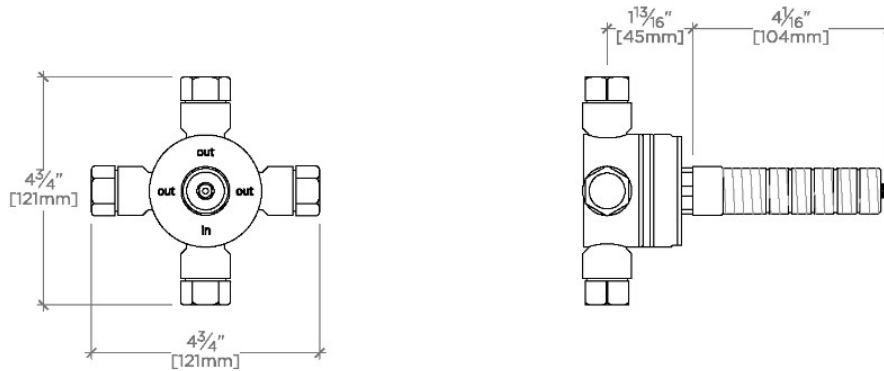
GU65DV

ViaWorks Three Way Diverter Valve for Pressure Balance Shower Systems

ADAPTER(S) PACKAGED SEPARATELY		
ADAPTER	DESCRIPTION	QTY
UNUK02	1/2" MALE NPT x 1/2" FEMALE BSPP ADAPTER	4



TOP VIEW SCALE: 3"=1'-0"



FRONT VIEW SCALE: 3"=1'-0"

SIDE VIEW SCALE: 3"=1'-0"