

## DASH

DSPH01

Dash Wall Mounted Swing Arm Paper Holder



SHOWN IN DASH WALL MOUNTED SWING ARM PAPER HOLDER | DSPH01

### TECHNICAL DETAILS

Escutcheon Primary Material: Brass  
Depth / Width: 83 mm  
Height: 124 mm  
Installation Type: Wall Mounted  
Length: 167 mm  
Pivot: N  
Primary Material: Brass  
Suggested Application: Bath

### INSPIRATION

A blend of art and function, Dash pays homage to design elements of the 1930s with pared-down shapes, softened curves and minimal details.

### PRODUCT FEATURES

Wall Mounted

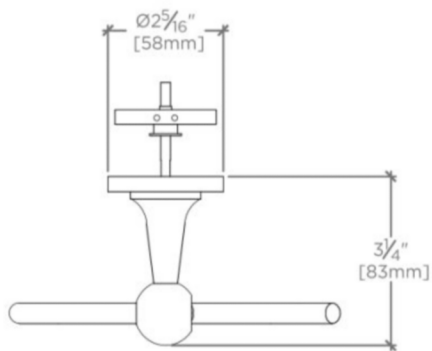
Stocked in Nickel, Chrome, Unlacquered Brass, and Matte Nickel finishes

# WATERWORKS

## DASH

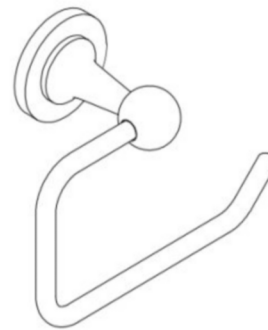
DSPH01

Dash Wall Mounted Swing Arm Paper Holder



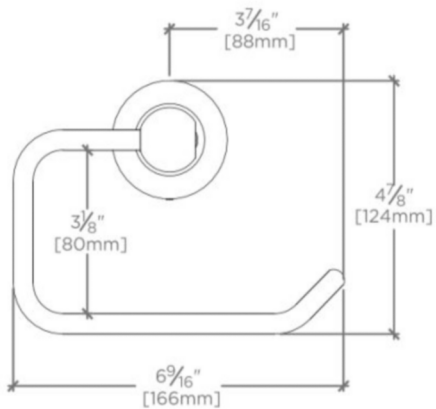
TOP VIEW

SCALE: 3"=1'-0"



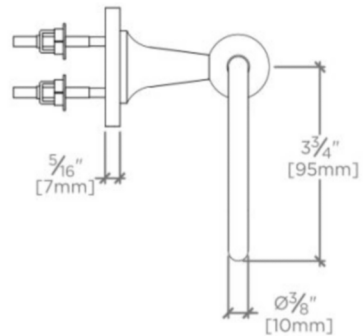
ISO VIEW

SCALE: 3"=1'-0"



FRONT VIEW

SCALE: 3"=1'-0"



SIDE VIEW

SCALE: 3"=1'-0"