

Essentials Classic 110v Single-Rail Towel Warmer



SHOWN IN ESSENTIALS CLASSIC 110V SINGLE-RAIL TOWEL WARMER | ETW101

TECHNICAL DETAILS

Diameter Of Legs Tubes: 1 1/4"
Electric Requirements: 0.11A
Primary Material: Brass
Voltage: 110V
Wet/Dry: Wet or Dry

INSPIRATION

Choose with confidence: Well-crafted designs that work with any product in our overall assortment and elevate any setting. Explore a wide range of authentic elements, from freestanding, deck and wall-mounted accessories to furnishings.

CODES & STANDARDS

CSA Model Number - CLAS105W; CSA C22.2, UL 499

PRODUCT FEATURES

A standard in European hotels, an electric towel warmer is the ultimate in luxury

Made of brass

To best suit personal comfort level, we recommend installation with a dimmer switch.

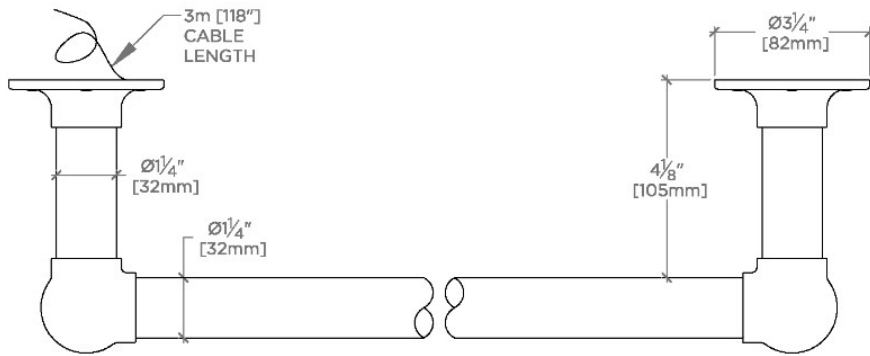
Stocked in Brass, Chrome, and Nickel

CERTIFICATIONS



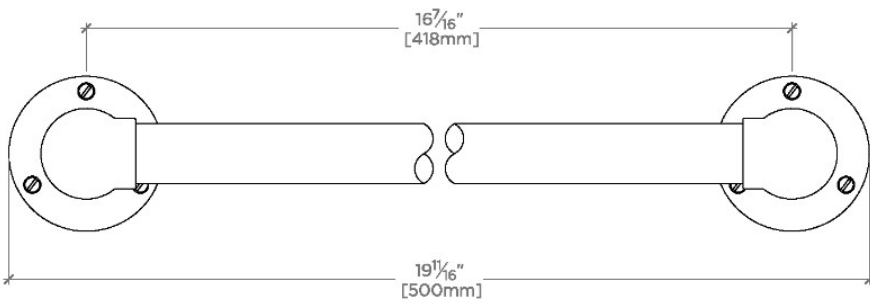
PRODUCT (NOTES)

Essentials Classic 110v Single-Rail Towel Warmer



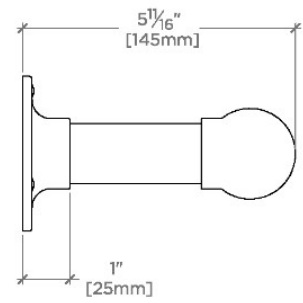
TOP VIEW

SCALE: 3"=1'-0"



FRONT VIEW

SCALE: 3"=1'-0"



SIDE VIEW

SCALE: 3"=1'-0"