

LUDLOW

LDXT30

Ludlow Wall Mounted Exposed Tub Filler with Handshower and Lever Handles



SHOWN IN LUDLOW WALL MOUNTED EXPOSED TUB FILLER WITH HANDSHOWER AND LEVER HANDLES | LDXT30

TECHNICAL DETAILS

ADA Compliance: No
 Flow Restriction Options: 1.5, 1.75, 2.0
 Inlet Connection Size: 3/4"
 Inlet Connection Type: Male NPT
 Inlet Supply Spread Maximum: 8"
 Inlet Supply Spread Minimum: 8"
 Integrated Diverter: Y
 Number Of Holes: Two Hole
 Pivot: Y
 Primary Material: Brass
 Spout Swivel: N
 Valve Material: Ceramic
 Water Pressure Maximum: 85.0 psi
 Water Pressure Minimum: 20.0 psi
 Water Pressure Recommended: 45.0 psi

INSPIRATION

Our fresh take on American industrial design comes in three styles, each of them clean-lined, and distinct to Waterworks.

CODES & STANDARDS

LDXT30X, ASME A112.18.1/CSA B125.1, Waterworks Handshowers use check valves compliant to ASME A112.18.3 for backflow protection, CEC, DOE, State of MA

PRODUCT FEATURES

Features All Metal Lever Handles

Diverter handle allows bather to move water from spout to handshower

The Handshower offers a fixed spray pattern

Stocked in Chrome, Nickel and Brass

Unrestricted flow for tub spout. Handshower available in 1.75gpm (6.6L/min) flow rate

CERTIFICATIONS

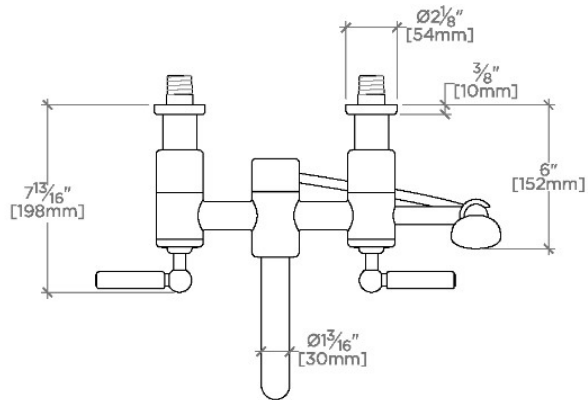


PRODUCT (NOTES)

LUDLOW

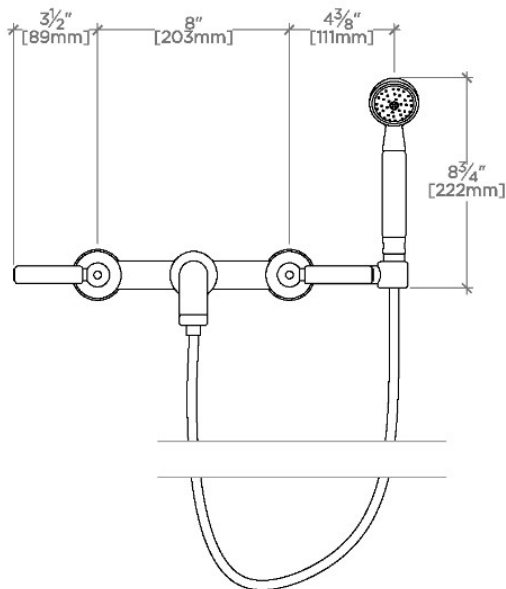
LDXT30

Ludlow Wall Mounted Exposed Tub Filler with Handshower and Lever Handles



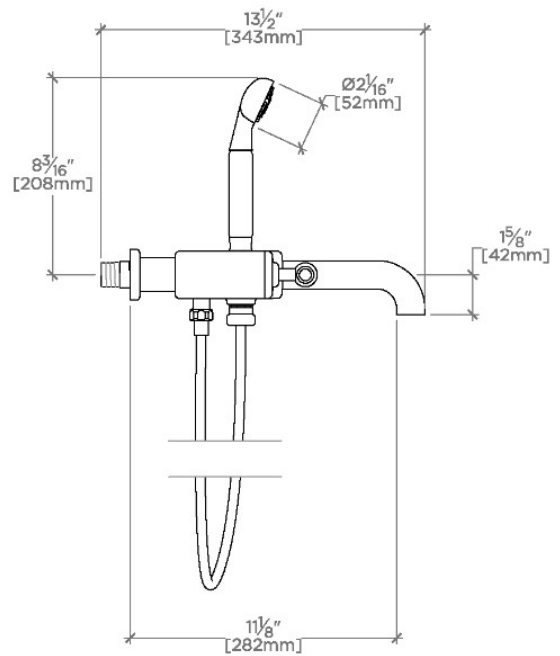
TOP VIEW

SCALE: 1 1/2"=1'-0"



FRONT VIEW

SCALE: 1 1/2"=1'-0"



SIDE VIEW

SCALE: 1 1/2"=1'-0"