

Easton

EAXT31

Easton Vintage Exposed Tub Filler, White Porcelain Handshower and Lever Diverter with White Porcelain Indices



SHOWN IN EASTON VINTAGE EXPOSED TUB FILLER, WHITE PORCELAIN HANDSHOWER AND LEVER DIVERTER WITH WHITE PORCELAIN INDICES | EAXT31

TECHNICAL DETAILS

ADA Compliance: No
 Adjustable Versus Fixed Spray: Fixed Spray
 Depth/Width: 171 mm
 Diameter Of Head: 76 mm
 Escutcheon Primary Material: Brass
 Flow Restriction Options: 1.75
 Handle Spread Maximum: 184 mm
 Handle Spread Minimum: 184 mm
 Handle Turn Angle: Quarter Turn
 Handshower Spray Hose Length: 1.5 m
 Height: 394 mm
 Index Color Finish And Material: White Porcelain
 Index Marking: Hot/Cold
 Inlet Connection Size: 3/4"
 Inlet Connection Type: Supply Nut
 Inlet Supply Spread Maximum: 184 mm
 Inlet Supply Spread Minimum: 184 mm
 Installation Type: Wall or deck mounted
 Integrated Diverter: Y
 Length: 279 mm
 Number Of Handles: Three
 Pivot: N
 Primary Material: Brass
 Restricted Maximum Flow Rate: 6.6 liters/min
 Spout Swivel: N
 Suggested Application: Bath
 Valve Material: ceramic
 Water Pressure Maximum: 5.0 bar
 Water Pressure Minimum: 1.5 bar
 Water Pressure Recommended: 3.0 bar

INSPIRATION

Drawing on Edwardian style, Easton is the most extensive Waterworks family; a range of moods and a selection of products from fittings to furniture.

CODES & STANDARDS

EAXT31X, ASME A112.18.1/CSA B125.1, Waterworks Handshowers use check valves compliant to ASME A112.18.3 for backflow protection, CEC, DOE, State of MA

PRODUCT FEATURES

Easton is our most comprehensive fittings family.

Easton has a clean-lined utilitarian profile, with a slightly elongated spout.

Unions sold separately - UNUN60 (Floor Union), EAUN16 (Deck Union) and EAUN18 (Wall Union)

Unrestricted flow for tub spout. Handshower available in 1.75gpm (6.6L/min) flow rate

CERTIFICATIONS

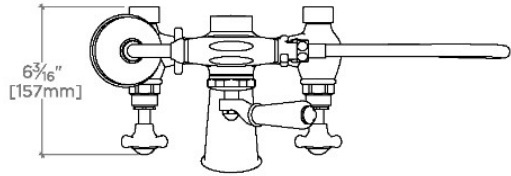


PRODUCT (NOTES)

Easton

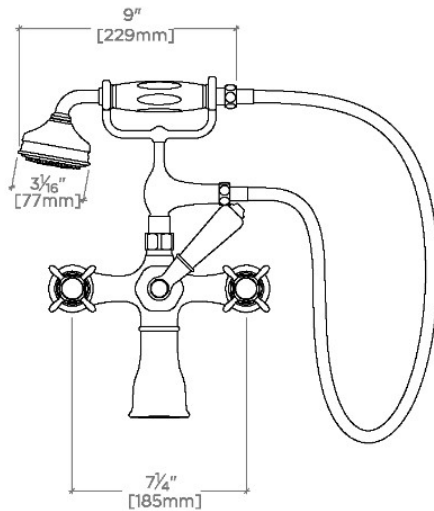
EAXT31

Easton Vintage Exposed Tub Filler, White Porcelain
Handshower and Lever Diverter with White Porcelain Indices



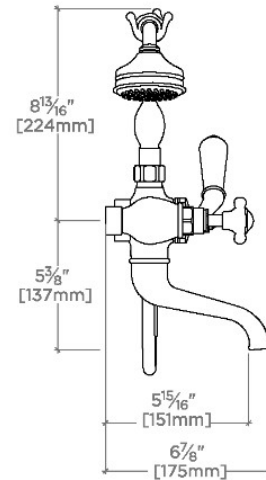
TOP VIEW

SCALE: 1 1/2"=1'-0"



FRONT VIEW

SCALE: 1 1/2"=1'-0"



SIDE VIEW

SCALE: 1 1/2"=1'-0"