

R.W. ATLAS

R.W. Atlas Wall Mounted Three Piece Paper Holder

RWPH37



SHOWN IN R.W. ATLAS WALL MOUNTED THREE PIECE PAPER HOLDER| RWPH37

TECHNICAL DETAILS

ADA Compliance: Yes
Adjustable Levelers / Feet: N
Adjustable Shelves: N
Escutcheon Primary Material: Brass
Length From Centers: 6 1/2"
Installation Type: Wall Mounted
Primary Material: Brass
Suggested Application: Bath

INSPIRATION

Powerful shapes, genuine materials and unique aesthetic details. The original, impeccable vision of R.W. Atlas pairs American ingenuity with European craftsmanship.

PRODUCT FEATURES

Features pivoting arm for ease of operation.

Knurling detail on wall mounted posts.

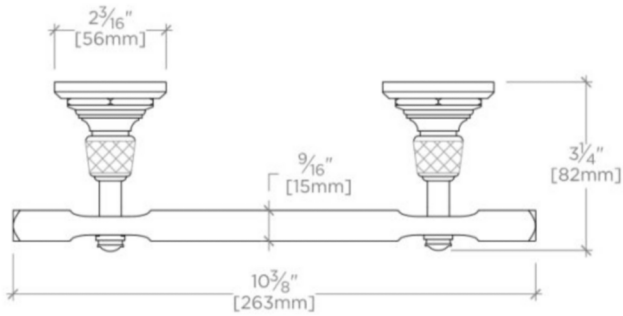
The hardware kit ensures secured mounting for dry walls, wood blocked, and metal stud installations.

WATERWORKS

R.W. ATLAS

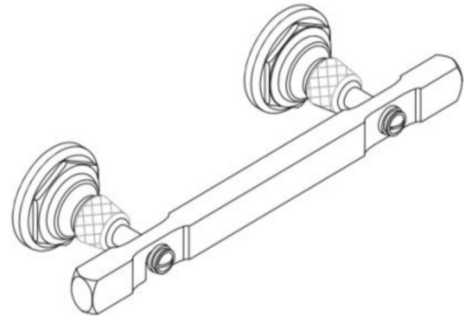
RWPH37

R.W. Atlas Wall Mounted Three Piece Paper Holder



TOP VIEW

SCALE: 3"=1'-0"



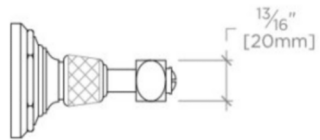
ISO VIEW

SCALE: 3"=1'-0"



FRONT VIEW

SCALE: 3"=1'-0"



SIDE VIEW

SCALE: 3"=1'-0"