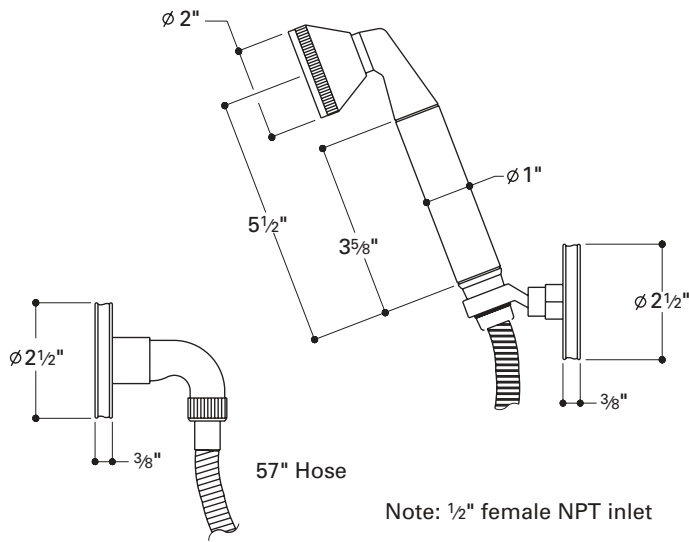


BDHS25



NOTES

- Use only a protected, smooth-jawed, or strap wrench on any finished surface.

INSTALLATION

- **WATER SUPPLY:** A well-supported 1/2" female adapter elbow should be installed, and a pipe nipple cut to the appropriate length should be stubbed out. Assemble the 90° finished elbow onto the water supply using Teflon pipe joint sealer.

MOUNTING THE HOOK ASSEMBLY (see fig. I)

- Unscrew the hook from the wall escutcheon plate and remove the unfinished threaded brass nipple from the back of the hook (brass nipple may still be in the wall escutcheon plate).
- Using the screw and wall anchor that is provided, attach the threaded nipple to the wall.
- Thread the wall escutcheon plate onto the threaded nipple, using the gasket provided.
- Check tension on the hook's ball joint swivel. If additional tension is required, tighten the bushing on the backside of the ball joint, using a 6mm hex key.
- Assemble the hook onto the threaded nipple until it rests tightly against the wall escutcheon plate. Check the hook's position to ensure the opening for hand shower is facing left.
- Unscrew the Atmospheric vacuum breaker from the finished elbow, and carefully turn on the water supply to flush out the line. Once the line has been flushed, install the vacuum breaker.
- Attach the cone shaped end of the hose to the hand shower and the other to the vacuum breaker, using the gaskets provided. Insert the hand shower into the hook.
- Carefully turn on the water supply and check all connections for leaks.
- If further assistance is required, please contact Product Support at: 1-800-927-2120 (8am-7pm).

Figure I

