

WATERWORKS INSTALLATION GUIDELINES

STYLE No. HNWS03

Henry Metal Round 3 Leg Washstand

54¹⁵/₁₆" x 20" x 3¹/₄"

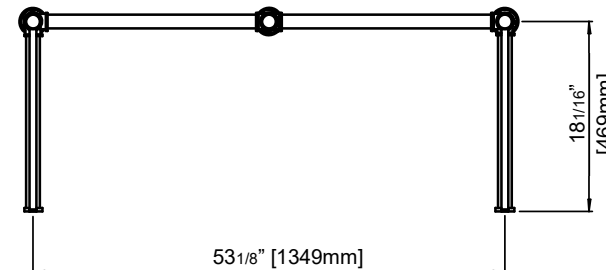
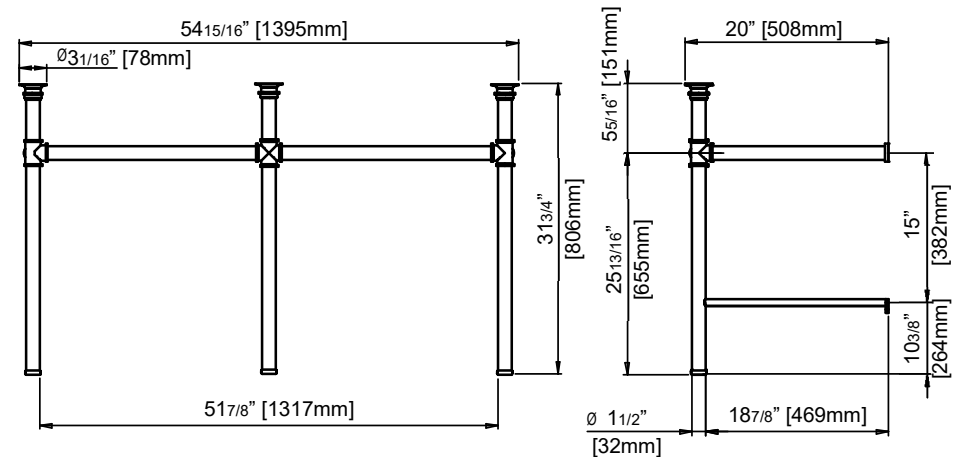


TECHNICAL DETAILS:

DETAIL	SPECIFICATION
ADJUSTABLE LEVELERS/FEET	YES
DIAMETER OF LEGS/TUBES	1 ½" [38mm]
PRIMARY MATERIAL	Brass
RECOMMENDED ROUGH-IN SUPPLY HEIGHT (for each basin)	21" [534mm]
RECOMMENDED ROUGH-IN SUPPLY SPREAD (for each basin)	9" [229mm]
RECOMMENDED ROUGH-IN WASTE HEIGHT (for each basin)	19" [483mm]
STORAGE CAPACITY	Shelf Size Required
TOP ATTACHMENT METHOD	Silicone
WEIGHT	24lbs

IMPORTANT:

- To ensure this product is installed properly, you must read and follow these guidelines.
- The owner/user of this product must keep this information for future reference.
- Install adequate blocking or position over a stud to properly secure the fixture.
- Inspect this product, upon receiving, to ensure it is the correct model and you have all parts required for proper installation.
- Slab top, fittings and Lavatory sold separately.
- This product must be installed by a professional licensed contractor. Be sure your installation conforms to all federal, state, and local codes.
- Take all necessary precautions to ensure that this product is protected during installation.
- Ensure the floor is level and the weight of this product will be adequately supported.
- The use of certain plumber's putty may stain stone or tile surfaces.

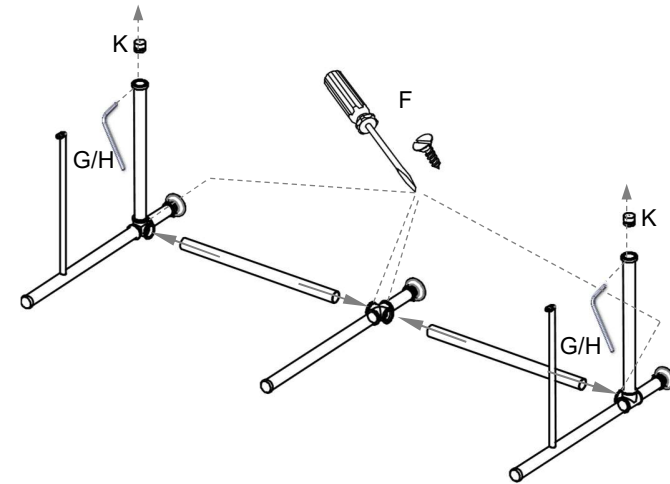
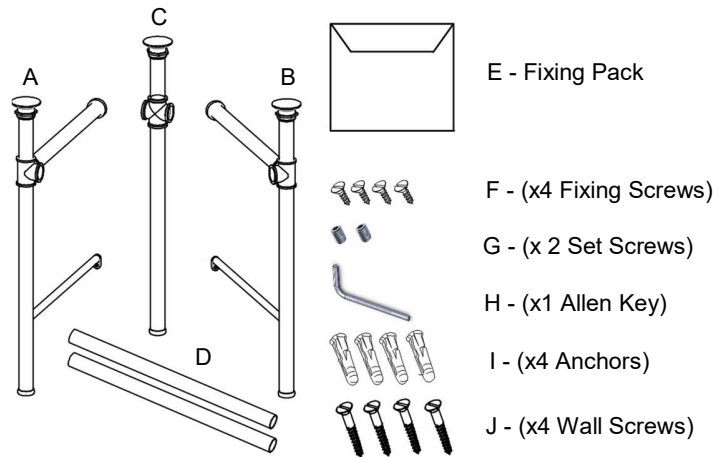


WATERWORKS INSTALLATION GUIDELINES

STYLE No. HNWS03

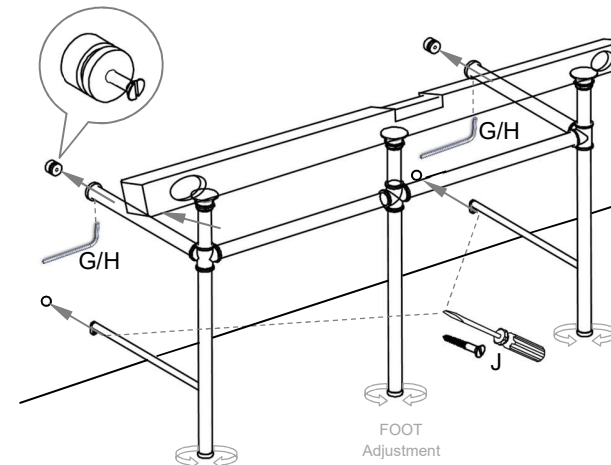
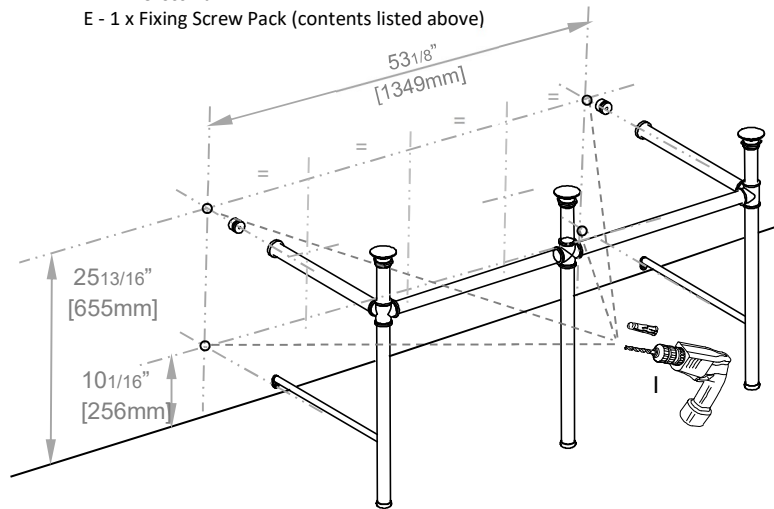
Henry Metal Round 3 Leg Washstand

54¹⁵/₁₆" x 20" x 31³/₄"



1. Contents ;
- A - 1 x L/H Side Rail Assembly
 - B - 1 x R/H Side Rail Assembly
 - C - 1 x Centre Leg Assembly
 - D - 1 x Cross Rail
 - E - 1 x Fixing Screw Pack (contents listed above)

2. Place the parts on a protective sheet to avoid damaging any of the surface finishes during assembly
3. Insert Horizontal Cross Rails into the 4 leg connections as shown (Orientation identified by Left & Right Labels)
4. When fully inserted, rotate the Cross Rail tubes to expose the pre-drilled fixing screw hole
5. Insert Fixing Screw (F) and fully tighten using a Screw Driver (DO NOT USE DRILL)
6. Secure both ends of the Cross Rails to the Leg Assemblies
7. To remove Wall Fixing Inserts (K) unscrew the set screw (G) using the 2mm Allen Key (H) and pull out inserts



8. To measure / mark the positions for the wall screws (for Custom - place Wash Stand against the wall)
9. Mark Vertical Center Line (for the Waste) and lines equally either side for the Wash Stand Legs.
10. Using pencil, mark the position of the Bottom Rail Screw (for Custom - mark through holes)
11. Using Pencil, mark position of Top Rail - Wall Fixing
(for Custom - measure from floor to underside of rail, add 1/4" [19mm] and mark hole position)
12. Drill Holes in Wall (x 4) using Ø7/32" Drill Bit - Push Anchors (I x 4) into holes

13. Using Wall Screws (J x 2) - fix Wall Fixing Inserts securely to the wall
14. Present the Wash Stand to the Wall Fixing Inserts and push on fully.
15. Place Level on top of Legs and adjust the feet accordingly until it is level.
16. Secure Side Rails to the Fixing Inserts by tightening the set screws (G) using 2mm Allen Key (H)
17. Fix Bottom Horizontal Legs in place by inserting Wall Screws (J x 2) through the fixing bracket (tighten screws using Screw Driver - DO NOT USE DRILL)
18. MAKE ANY WATER CONNECTIONS AND FIX BASIN IN PLACE final leg adjustments can be made to support basin