

## LUDLOW

LDXT20

Ludlow Wall Mounted Exposed Tub Filler with Handshower and Cross Handles



SHOWN IN LUDLOW WALL MOUNTED EXPOSED TUB FILLER WITH HANDSHOWER AND CROSS HANDLES | LDXT20

### TECHNICAL DETAILS

ADA Compliance: No  
Flow Restriction Options: 1.5, 1.75, 2.0  
Inlet Connection Size: 3/4"  
Inlet Connection Type: Male NPT  
Inlet Supply Spread Maximum: 8"  
Inlet Supply Spread Minimum: 8"  
Integrated Diverter: Y  
Number Of Holes: Two Hole  
Pivot: Y  
Primary Material: Brass  
Spout Swivel: N  
Valve Material: Ceramic  
Water Pressure Maximum: 85.0 psi  
Water Pressure Minimum: 20.0 psi  
Water Pressure Recommended: 45.0 psi

### INSPIRATION

Our fresh take on American industrial design comes in three styles, each of them clean-lined, and distinct to Waterworks.

### CODES & STANDARDS

LDXT20X, ASME A112.18.1/CSA B125.1, Waterworks Handshowers use check valves compliant to ASME A112.18.3 for backflow protection, CEC, DOE, State of MA

### PRODUCT FEATURES

Features All Metal Cross Handles

Diverter handle allows bather to move water from spout to handshower

The Handshower offers a fixed spray pattern

Stocked in Chrome, Nickel and Brass

Unrestricted flow for tub spout. Handshower available in 1.75gpm (6.6L/min) flow rate

### CERTIFICATIONS



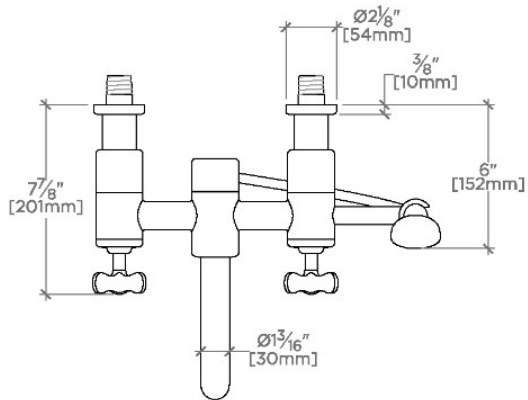
### PRODUCT (NOTES)

# WATERWORKS

## LUDLOW

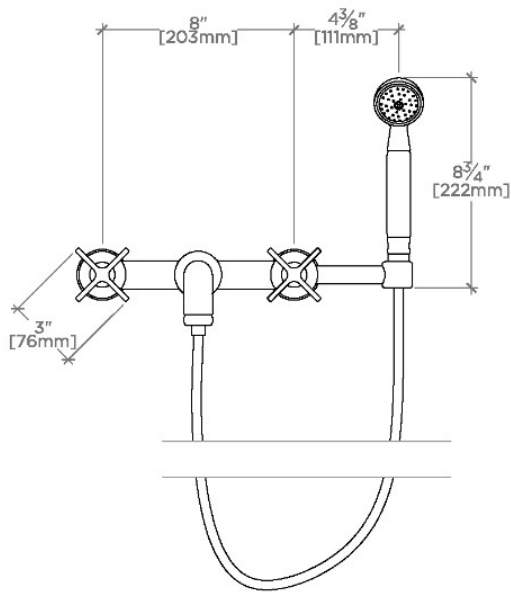
LDXT20

Ludlow Wall Mounted Exposed Tub Filler with Handshower and Cross Handles



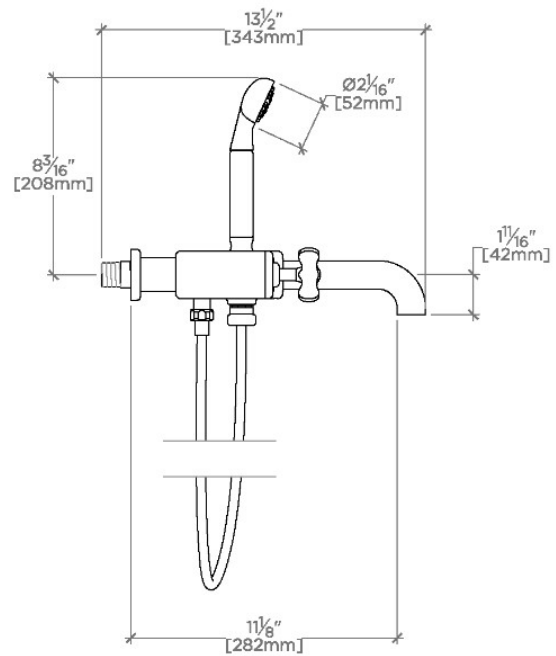
TOP VIEW

SCALE: 1/2"=1'-0"



FRONT VIEW

SCALE: 1/2"=1'-0"



SIDE VIEW

SCALE: 1/2"=1'-0"