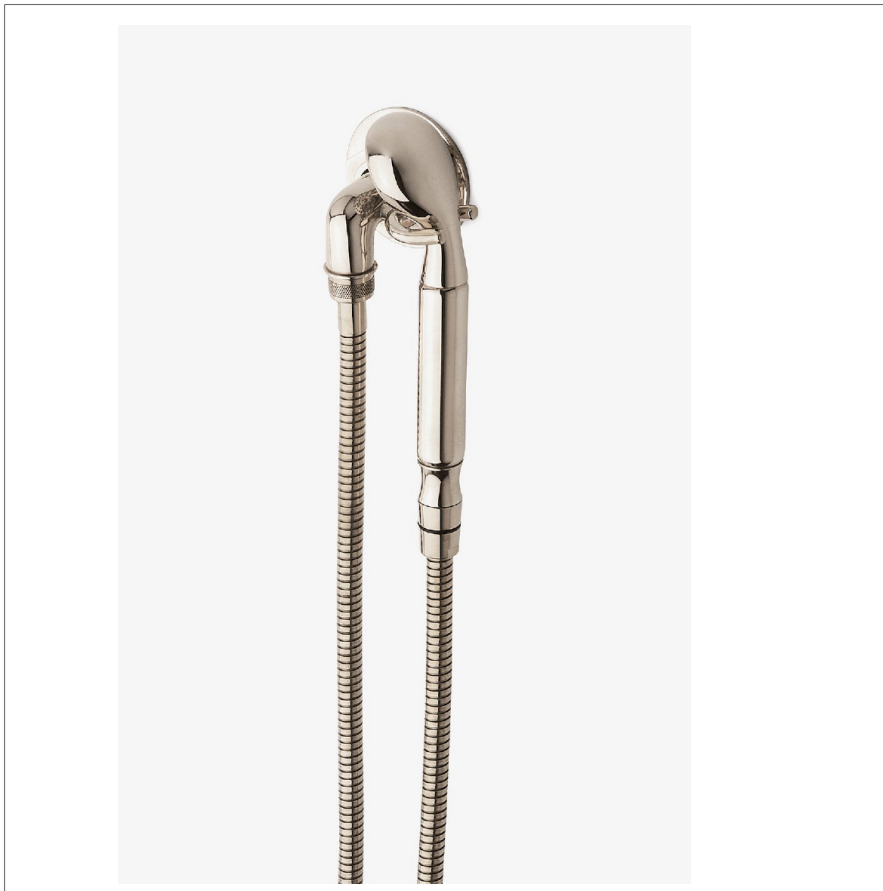


Henry

HNHS01

Henry Handshower On Hook with Metal Handle



SHOWN IN HENRY HANDSHOWER ON HOOK WITH METAL HANDLE | HNHS01

TECHNICAL DETAILS

ADA Compliance: When installed per ADA guidelines
 Adjustable Versus Fixed Spray: Fixed Spray
 Depth/Width: 89 mm
 Diameter Of Head: 48 mm
 Escutcheon Primary Material: Brass
 Fittings Hole Diameter: 32 mm
 Flow Restriction Options: 2.5, 2.2, 2.0, 1.75, 1.5, 0.92
 Handshower Spray Hose Length: 1.5 m
 Height: 194 mm
 Inlet Connection Size: 1/2"
 Inlet Connection Type: Female NPT
 Installation Type: Wall Mounted
 Integrated Diverter: N
 Length: 103 mm
 Pivot: N
 Primary Material: Brass
 Suggested Application: Bath
 Water Pressure Maximum: 6.0 bar
 Water Pressure Minimum: 1.5 bar
 Water Pressure Recommended: 3.0 bar

INSPIRATION

Celebrating the connection of industry and art, Henry transitions effortlessly between modern, traditional, and classic settings. These iconic fittings blend 19th-century industrial and artistic references for a look that's forever of the moment—familiar yet wholly original.

CODES & STANDARDS

HNHS01X, ASME A112.18.1/CSA B125.1, Waterworks Handshowers use check valves compliant to ASME A112.18.3 for backflow protection. CEC, State of MA, WRAS

PRODUCT FEATURES

Features a Fixed Spray Pattern

Features a Supply Elbow with Integrated Hook to hold the Handshower

Stocked in Chrome, Nickel, Brass and Dark Nickel

Available in 1.75gpm (6.6L/min) Flow Rate

CERTIFICATIONS

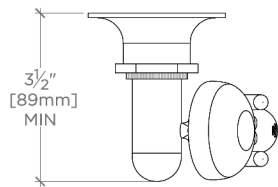


PRODUCT (NOTES)

Henry

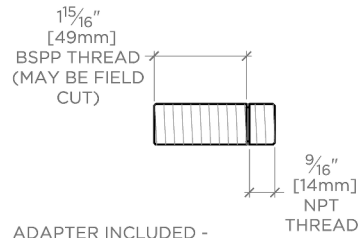
HNHS01

Henry Handshower On Hook with Metal Handle

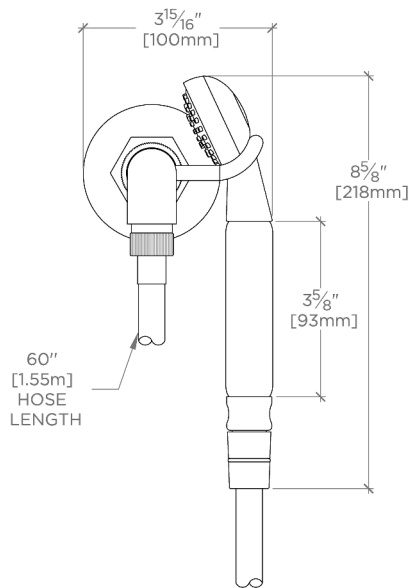


TOP VIEW

SCALE: 3"=1'-0"

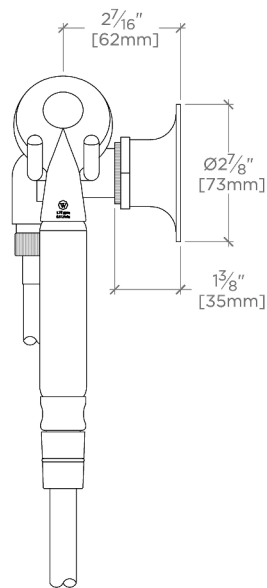


ADAPTER INCLUDED -
INTERNATIONAL USE ONLY



FRONT VIEW

SCALE: 3"=1'-0"



SIDE VIEW

SCALE: 3"=1'-0"