

Foro

FRXT40

Foro Deck Mounted Exposed Tub Filler with Metal Handshower and Cross Handles



SHOWN IN FORO DECK MOUNTED EXPOSED TUB FILLER WITH METAL HANDSHOWER AND CROSS HANDLES | FRXT40

TECHNICAL DETAILS

ADA Compliance: No
 Adjustable Versus Fixed Spray: Fixed
 Depth/Width: 286 mm
 Fittings Hole Diameter: 32 mm
 Handle Spread Maximum: 184 mm
 Handle Spread Minimum: 184 mm
 Handle Turn Angle: Quarter Turn
 Handshower Spray Hose Length: 1.5 m
 Height: 514 mm
 Inlet Connection Size: 3/4"
 Inlet Connection Type: Male NPT
 Inlet Supply Spread Maximum: 184 mm
 Inlet Supply Spread Minimum: 184 mm
 Length: 264 mm
 Valve Material: Ceramic
 Water Pressure Maximum: 6.0 bar
 Water Pressure Minimum: 1.5 bar
 Water Pressure Recommended: 3.0 bar

INSPIRATION

A mix of historical references, including finely etched vintage silver, come together in this twist on classical design - a wonderfully elegant formal statement.

CODES & STANDARDS

CEC, State of MA

PRODUCT FEATURES

Metal cross handles

Diverter handle allows bather to move water from spout to handshower. Handshower features 3" head with rubber nozzles

Features signature engraving detail

Stocked in Nickel and Unlacquered Brass

Unrestricted flow for tub spout. Handshower available in 1.75gpm (6.6L/min) flow rate

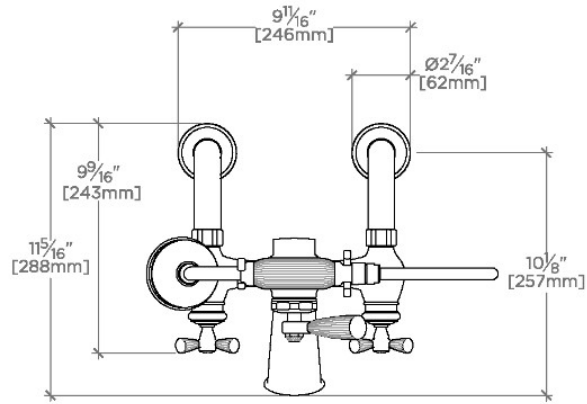
CERTIFICATIONS

PRODUCT (NOTES)

Foro

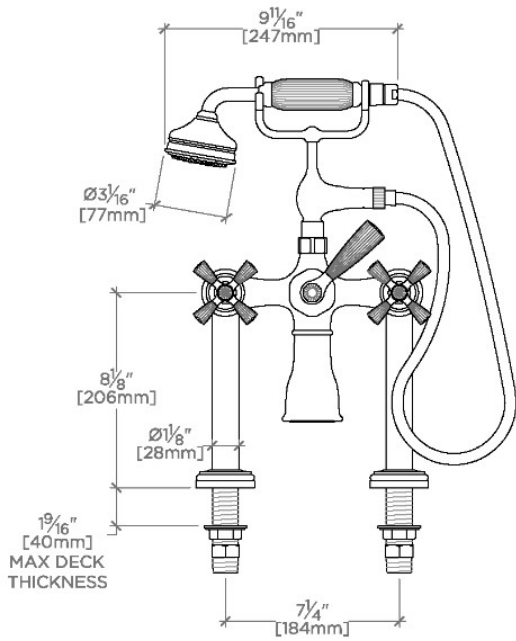
FRXT40

Foro Deck Mounted Exposed Tub Filler with Metal Handshower and Cross Handles



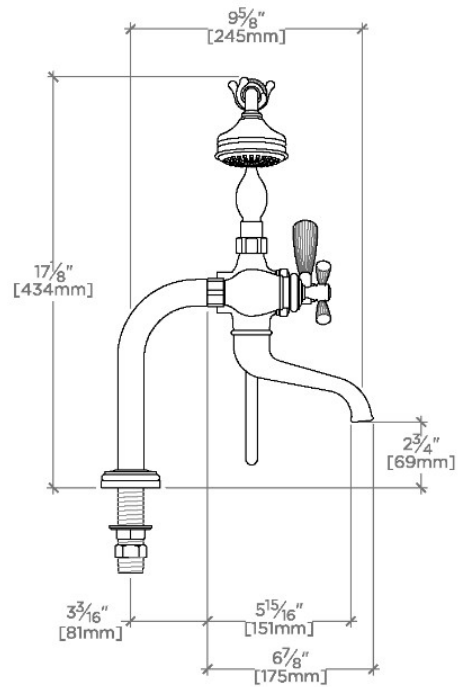
TOP VIEW

SCALE: 1/2"=1'-0"



FRONT VIEW

SCALE: 1/2"=1'-0"



SIDE VIEW

SCALE: 1/2"=1'-0"