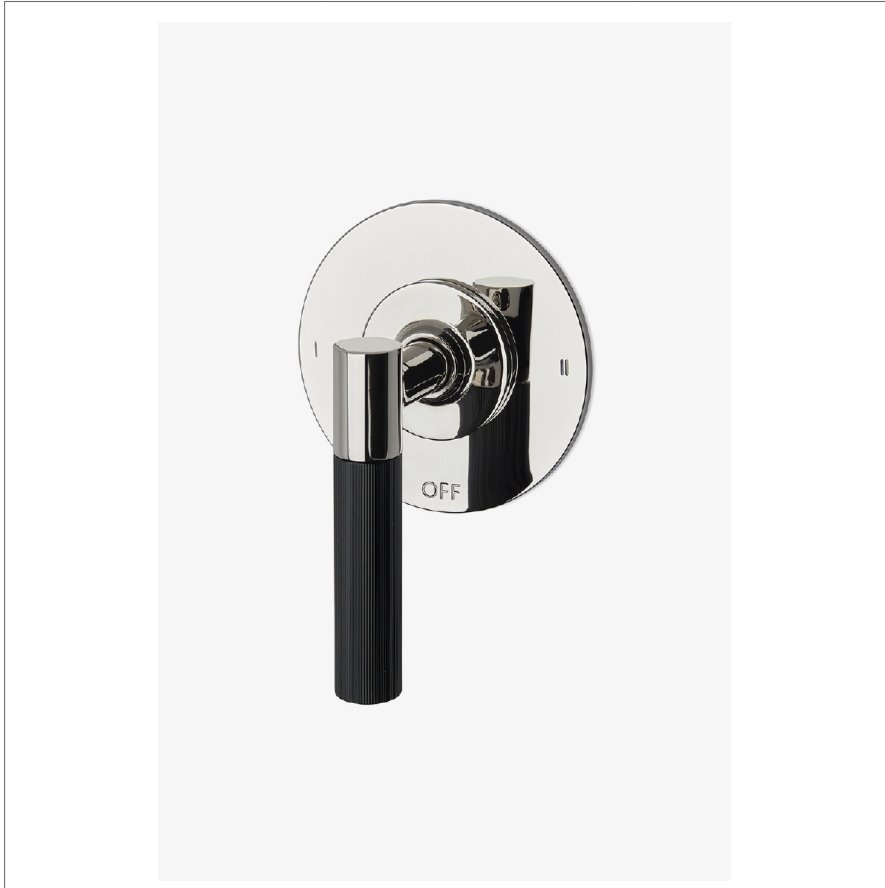


BOND

B2T12D

Bond Union Series Two Way Thermostatic Diverter Trim with Roman Numerals and Enamel Guilloche Lines Lever Handle



SHOWN IN BOND UNION SERIES TWO WAY THERMOSTATIC DIVERTER TRIM WITH ROMAN NUMERALS AND ENAMEL GUILLOCHE LINES LEVER HANDLE | B2T12D

TECHNICAL DETAILS

ADA Compliance: Yes
Integrated Diverter: N
Number Of Holes: One Hole
Primary Material: Brass

INSPIRATION

Modern designs infused with rare soul and artistry. Explore our wide range of Bond bath and kitchen elements, from fittings to fixtures to hardware.

CODES & STANDARDS

ASME A112.18.1/CSA B125.1

PRODUCT FEATURES

Lever Handle

For use with a Thermostatic shower system and two waterway outlets such as a handshower, shower head, and tub spout

Features Guilloche Lines combined with Enamel Lever Handle

Stocked in Nickel and Brass

Requires rough valve, sold separately: GUDV2T.

CERTIFICATIONS

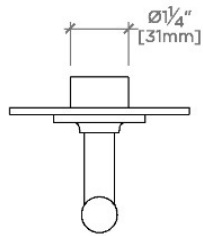


PRODUCT (NOTES)

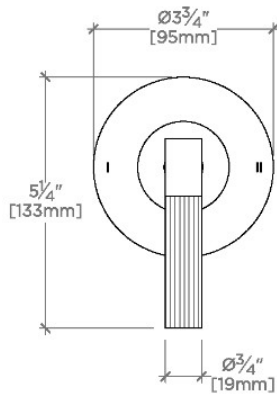
BOND

B2T12D

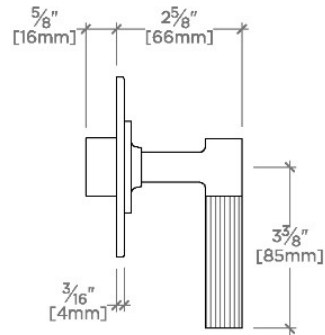
Bond Union Series Two Way Thermostatic Diverter Trim with Roman Numerals and Enamel Guilloche Lines Lever Handle



TOP VIEW SCALE: 3"=1'-0"



FRONT VIEW SCALE: 3"=1'-0"



SIDE VIEW SCALE: 3"=1'-0"