

R.W. ATLAS

R.W. Atlas Single Tier 18" Metal Shelf

RWSF18



SHOWN IN R.W. ATLAS SINGLE TIER 18" METAL SHELF | RWSF18

TECHNICAL DETAILS

ADA Compliance: When installed per ADA guidelines
Adjustable Levelers / Feet: N
Adjustable Shelves: N
Escutcheon Primary Material: Brass
Length From Centers: 16 11/16"
Installation Type: Wall Mounted
Length: 457 mm
Number of Drawers / Shelves: One
Primary Material: Brass
Suggested Application: Bath

INSPIRATION

Powerful shapes, genuine materials and unique aesthetic details. The original, impeccable vision of R.W. Atlas pairs American ingenuity with European craftsmanship.

PRODUCT FEATURES

Features metal shelf .

Four wall mounting points offer better support.

Offered in 18" and 24" .

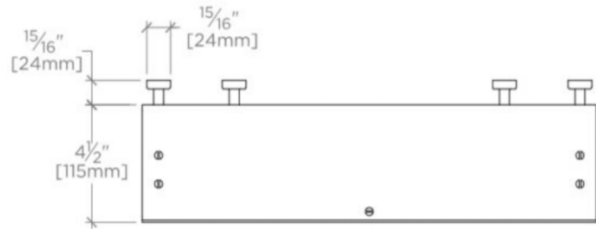
The hardware kit ensures secured mounting for dry walls, wood blocked, and metal stud installations.

WATERWORKS

R.W. ATLAS

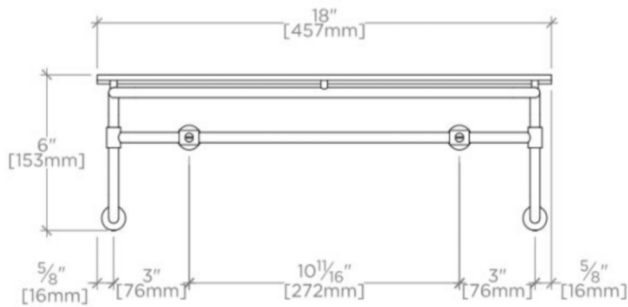
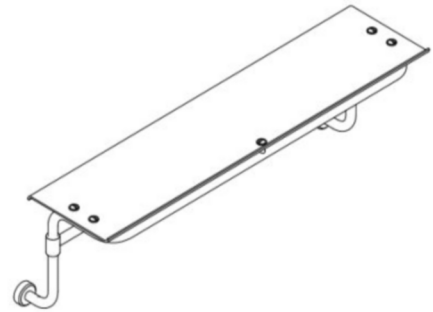
RWSF18

R.W. Atlas Single Tier 18" Metal Shelf



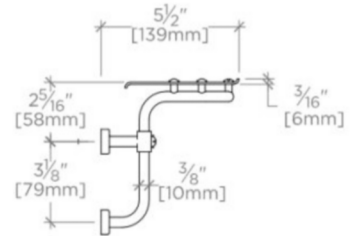
TOP VIEW

SCALE: $1\frac{1}{2}$ "=1'-0"



FRONT VIEW

SCALE: $1\frac{1}{2}$ "=1'-0"



SIDE VIEW

SCALE: $1\frac{1}{2}$ "=1'-0"