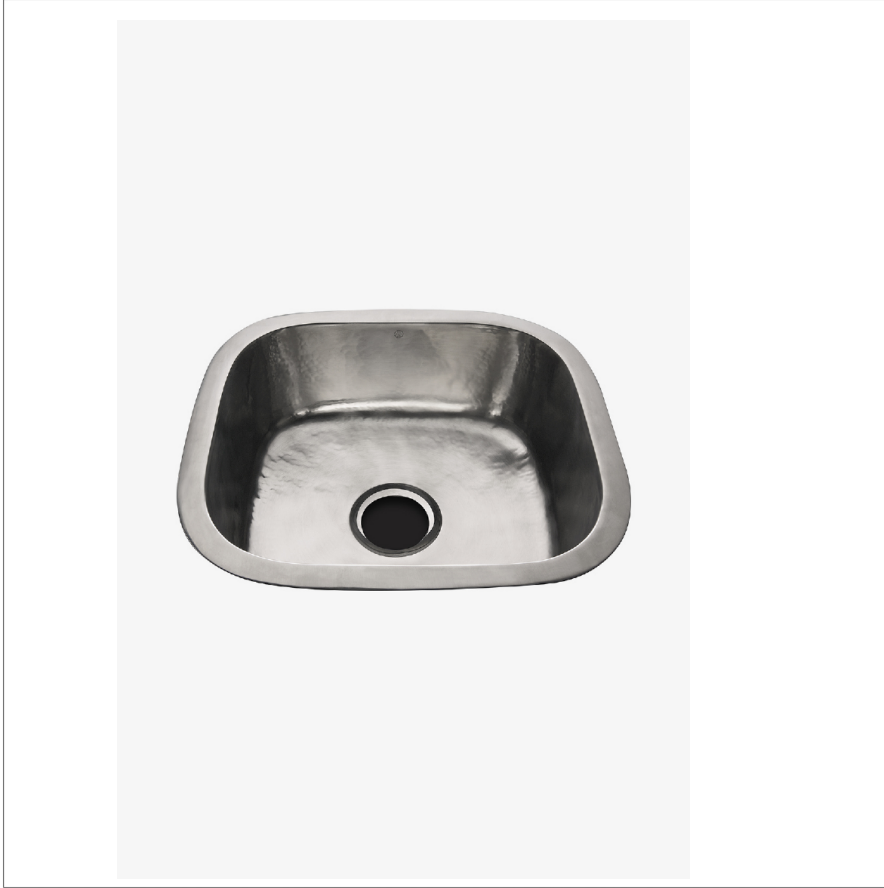


Normandy

NOSK30

Normandy 18 1/2" x 17 5/16" x 6 11/16" Hammered Copper Square Kitchen Sink with Center Drain



SHOWN IN NORMANDY 18 1/2" X 17 5/16" X 6 11/16" HAMMERED COPPER SQUARE KITCHEN SINK WITH CENTER DRAIN | NOSK30

TECHNICAL DETAILS

ADA Compliance: When installed per ADA guidelines
 Bowl Shape: Rectangular
 Depth/Width: 440 mm
 Drain Hole Depth: 8 mm
 Drain Hole Diameter: 89 mm
 Drain Style: Center Drain
 Garbage Disposal: Y
 Height: 170 mm
 Installation Type: Drop In or Undermount
 Length: 470 mm
 Number Of Holes: One Hole
 Outer Rim Shape: Square
 Primary Material: Hammered Copper
 Sound Proofing: N
 Suggested Application: Bar, Kitchen, Laundry

INSPIRATION

Modeled after antique French copper cookware, each Normandy sink is hammered and polished by hand according to old French tradition. The process involves over 40 steps and countless hours of craftsmanship, creating strikingly authentic, one-of-a-kind designs.

CODES & STANDARDS

PRODUCT FEATURES

16 Gauge lead free pure red copper

Hand hammered and hand polished

All Normandy kitchen sinks with 3 1/2" drain can be used with garbage disposals or 3 1/2" kitchen drain(UNKS30). Bar sinks require 2 1/2" bar drains(UNKS15).

A copper sink will patina and age to a unique, individual appearance which reflects its handmade heritage.

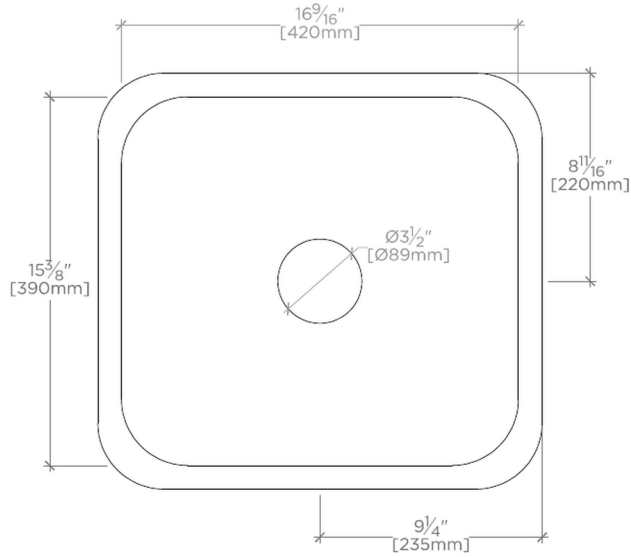
CERTIFICATIONS

Dimensions of sinks are nominal and are subject to slight variation.
PRODUCT (NOTES)

Normandy

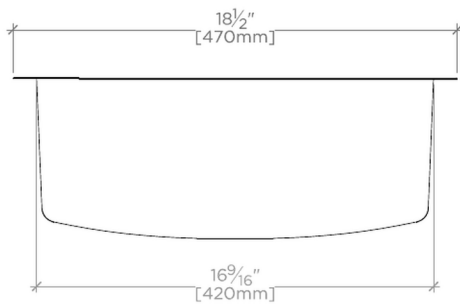
NOSK30

Normandy 18 1/2" x 17 5/16" x 6 11/16" Hammered Copper Square Kitchen Sink with Center Drain



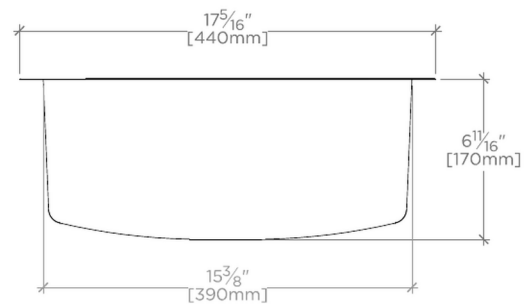
TOP VIEW

SCALE: 1/2"=1'-0"



FRONT VIEW

SCALE: 1/2"=1'-0"



SIDE VIEW

SCALE: 1/2"=1'-0"