

UNIVERSAL

Universal Shower Drain

UNSD02



SHOWN IN UNIVERSAL SHOWER DRAIN | UNSD02

TECHNICAL DETAILS

Depth/Width: 8 3/8"
Drain Assembly Materials: Iron
Drain Depth Maximum: 1"
Drain Depth Minimum: 1/4"
Drain Hole Diameter: 2"
Drain Style: Fixed Strainer
Escutcheon Primary Material: Brass
Height: 5"
Length: 8 3/8"
Outlet Connection Size: 2"
Outlet Connection Type: No Hub
Primary Material: Brass
Suggested Application: Bath

INSPIRATION

Our Universal collection features timeless designs complementing any of our Waterworks. With a wide range of product, from fittings to accessories, Universal adds exquisite proportion and balance to any environment.

CODES & STANDARDS

Code # WWSD02: ASME A112.18.2 / CSA B125.2, IAPMO, State of MA

PRODUCT FEATURES

The artfully designed shower drain brings style and grace right down to your toes, with a five inch square geometric face plate

This item is stocked in a Chrome, Nickel or Matte Nickel finishes and additional made-to-order finish options are available in 12 weeks from purchase

Clean and timeless in design, this beautiful shower drain is made with brass materials

This single drain can handle 17 gpm

CERTIFICATIONS

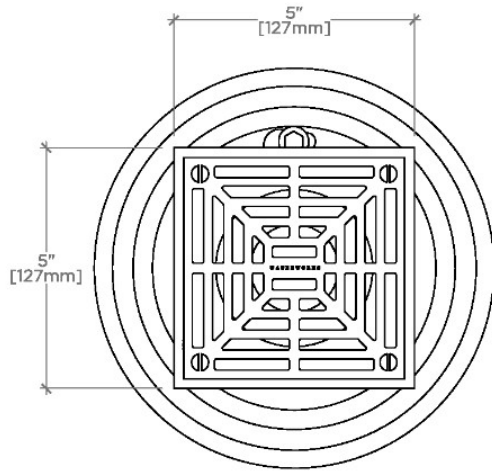


PRODUCT (NOTES)

UNIVERSAL

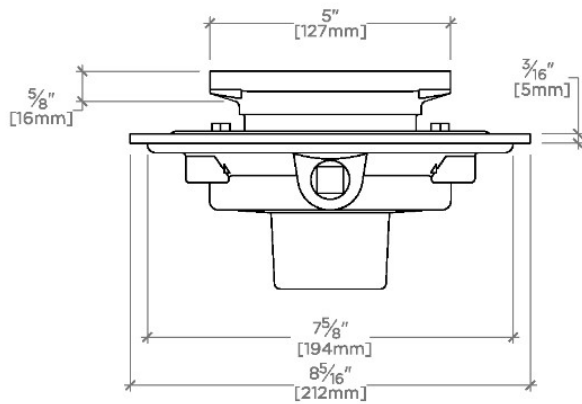
Universal Shower Drain

UNSD02



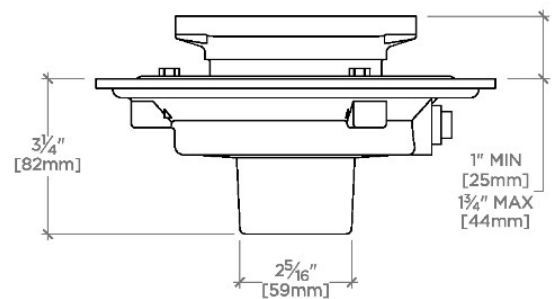
TOP VIEW

SCALE: 3"=1'-0"



FRONT VIEW

SCALE: 3"=1'-0"



SIDE VIEW

SCALE: 3"=1'-0"