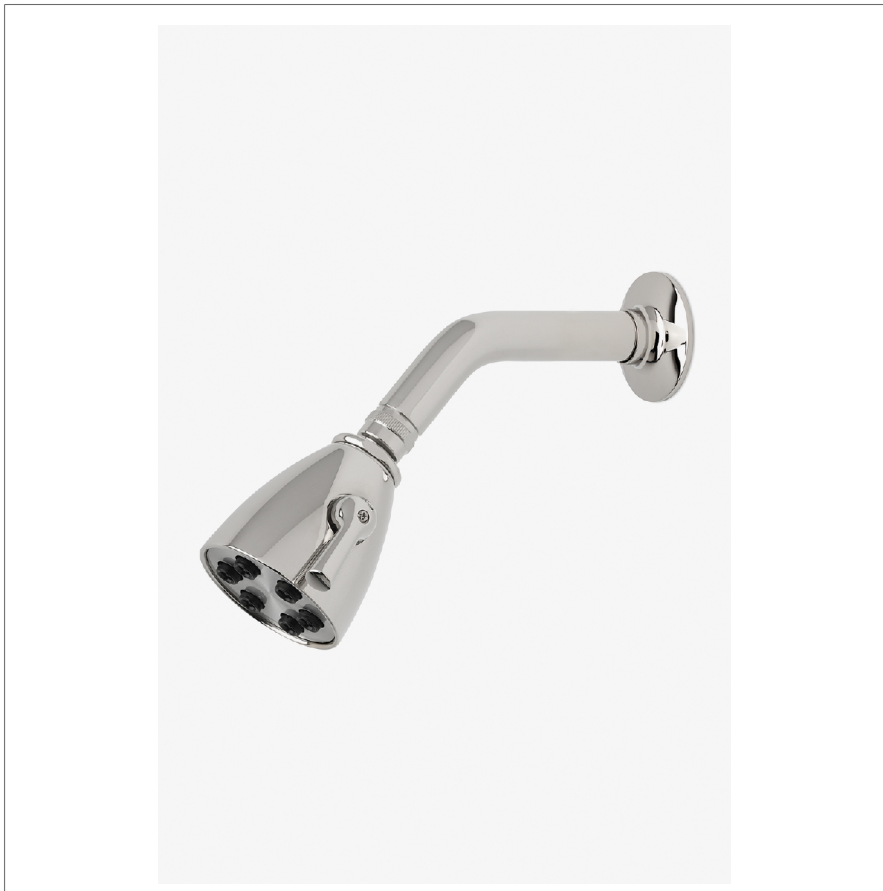


HIGHGATE

HGS334

Highgate 2 3/4" Showerhead with Adjustable Spray with 6" Wall Mounted 45 Degree Shower Arm



SHOWN IN HIGHGATE 2 3/4" SHOWERHEAD WITH ADJUSTABLE SPRAY WITH 6" WALL MOUNTED 45 DEGREE SHOWER ARM | HGS334

INSPIRATION

Our take on old English style: simple, functional shapes, detailed with white porcelain indices and hexagonal accents for a timeless feel.

PRODUCT FEATURES

Made of Brass

Features a swivel 2 3/4" showerhead with two adjustable spray patterns

Includes a 6" wall mounted 45 degree shower arm

Stocked in Brass, Chrome and Nickel

Showerhead available in 1.75gpm (6.6L/min) flow rate

TECHNICAL DETAILS

Adjustable Versus Fixed Spray: Adjustable Spray

Fittings Hole Diameter: 1 1/4"

Flow Restriction Options: 1.5, 1.75, 2.0

Inlet Connection Size: 1/2"

Inlet Connection Type: Male NPT

Pivot: Y

Primary Material: Brass

Restricted Maximum Flow Rate: 1.75 gpm

Water Pressure Maximum: 85.0 psi

Water Pressure Minimum: 20.0 psi

Water Pressure Recommended: 45.0 psi

CODES & STANDARDS

HGS334X, ASME A112.18.1/CSA B125.1, CEC(1.5GPM & 1.75GPM Only), WaterSense(1.5GPM, 1.75GPM & 2.0GPM Only), DOE, State of MA

CERTIFICATIONS



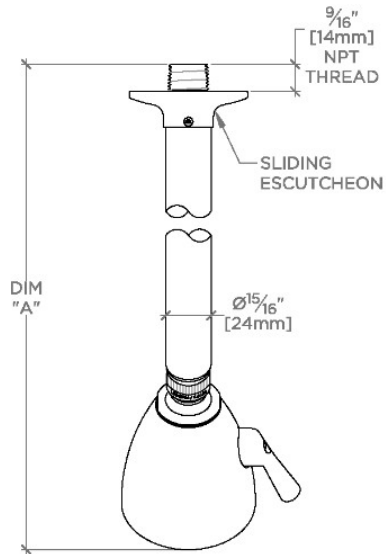
PRODUCT (NOTES)

WATERWORKS

HIGHGATE

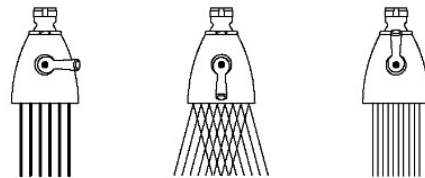
HGS334

Highgate 2 3/4" Showerhead with Adjustable Spray with 6" Wall Mounted 45 Degree Shower Arm

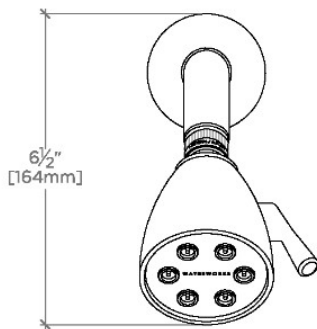


TOP VIEW SCALE: 3"=1'-0"

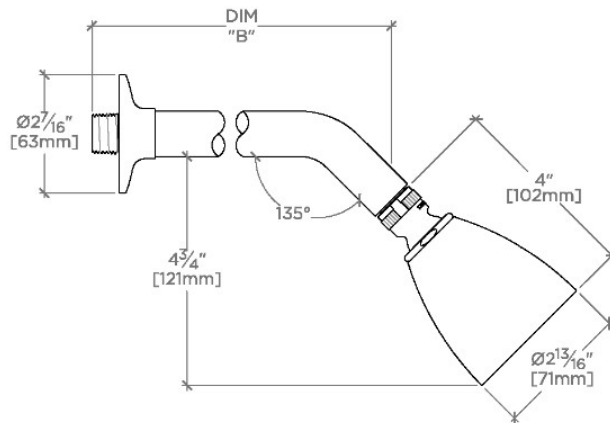
STYLE NO.	DIM "A"	DIM "B"
DSS334	10 1/16" [256mm]	6 1/4" [158mm]
HGS334		
RRS334		
DSS335	12 1/16" [307mm]	8 1/4" [209mm]
HGS335		
RRS335		



SPRAY PATTERNS



FRONT VIEW SCALE: 3"=1'-0"



SIDE VIEW SCALE: 3"=1'-0"