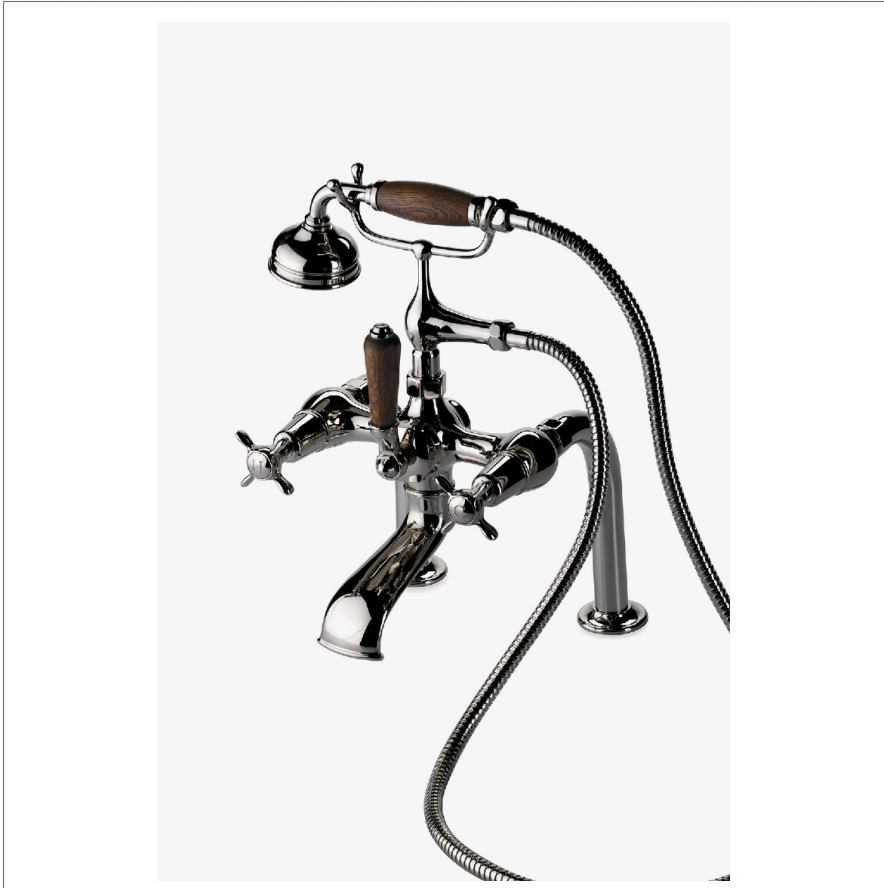


## EASTON

EAXT25

Easton Classic Exposed Tub Filler, Oak Handshower and Lever Diverter



SHOWN IN EASTON CLASSIC EXPOSED TUB FILLER, OAK HANDSHOWER AND LEVER DIVERTER | EAXT25

### TECHNICAL DETAILS

ADA Compliance: No  
 Adjustable Versus Fixed Spray: Fixed Spray  
 Depth/Width: 6 3/4"  
 Flow Restriction Options: 1.75  
 Handle Spread Maximum: 7 1/4"  
 Handle Spread Minimum: 7 1/4"  
 Handle Turn Angle: Quarter Turn  
 Handshower Spray Hose Length: 59"  
 Height: 15 1/2"  
 Index Color Finish And Material: White Porcelain  
 Inlet Connection Size: 3/4"  
 Inlet Connection Type: Female Union Nut  
 Inlet Supply Spread Maximum: 7 1/4"  
 Inlet Supply Spread Minimum: 7 1/4"  
 Installation Type: Wall or deck mounted  
 Integrated Diverter: Y  
 Length: 11"  
 Primary Material: Brass  
 Restricted Maximum Flow Rate: 1.75 gpm  
 Suggested Application: Bath  
 Water Pressure Maximum: 75.0 psi  
 Water Pressure Minimum: 20.0 psi  
 Water Pressure Recommended: 45.0 psi

### INSPIRATION

Drawing on Edwardian style, Easton is the most extensive Waterworks family; a range of moods and a selection of products from fittings to furniture.

### CODES & STANDARDS

EAXT25X, ASME A112.18.1/CSA B125.1, Waterworks Handshowers use check valves compliant to ASME A112.18.3 for backflow protection, CEC, DOE, State of MA

### PRODUCT FEATURES

Easton is our most comprehensive fittings family.

Easton has a clean-lined utilitarian profile, with a slightly elongated spout.

Unions sold separately - UNUN60 (Floor Union), EAUN16 (Deck Union) and EAUN18 (Wall Union)

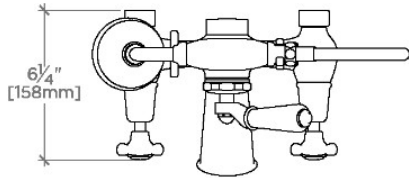
Unrestricted flow for tub spout. Handshower available in 1.75gpm (6.6L/min) flow rate

### CERTIFICATIONS



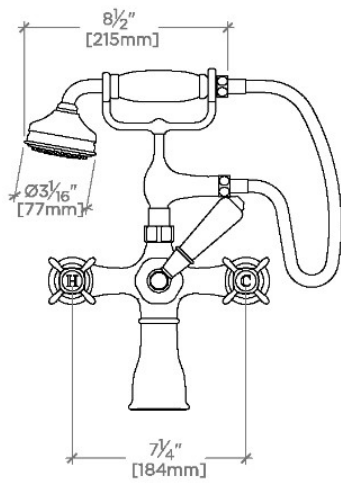
### PRODUCT (NOTES)

Easton Classic Exposed Tub Filler, Oak Handshower and Lever Diverter



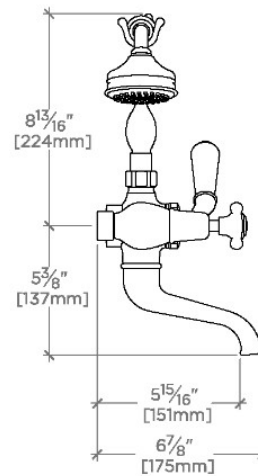
TOP VIEW

SCALE: 1 1/2"=1'-0"



FRONT VIEW

SCALE: 1 1/2"=1'-0"



SIDE VIEW

SCALE: 1 1/2"=1'-0"