

BOND

BTH64A

Bond Tandem Series Integrated Thermostatic and Dual Volume Control Trim with Guilloche Lines Knob Handles



SHOWN IN BOND TANDEM SERIES INTEGRATED THERMOSTATIC AND DUAL VOLUME CONTROL TRIM WITH GUILLOCHE LINES KNOB HANDLES | BTH64A

TECHNICAL DETAILS

ADA Compliance: Yes
Integrated Diverter: N
Number Of Holes: Three Hole
Primary Material: Brass

INSPIRATION

Modern designs infused with rare soul and artistry. Explore our wide range of Bond bath and kitchen elements, from fittings to fixtures to hardware.

CODES & STANDARDS

ASME A112.18.1/CSA B125.1, State of MA

PRODUCT FEATURES

Knob Handles

Allows bather to adjust temperature of all waterway outlets with a hot limit safety stop providing anti-scald protection

Features Linear Guilloche Etching Knob Handles

Stocked in Nickel and Brass

Requires rough valve, sold separately: GUTH74 (USA) or GU74TH (UK/International)

CERTIFICATIONS



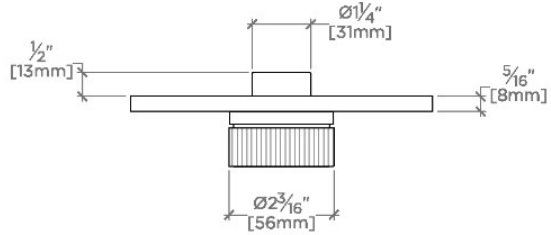
PRODUCT (NOTES)

WATERWORKS

BOND

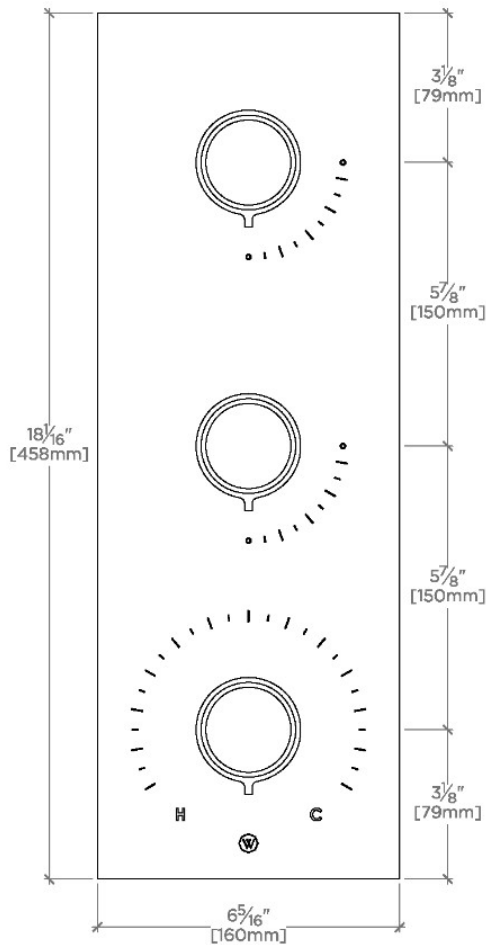
BTH64A

Bond Tandem Series Integrated Thermostatic and Dual Volume Control Trim with Guilloche Lines Knob Handles



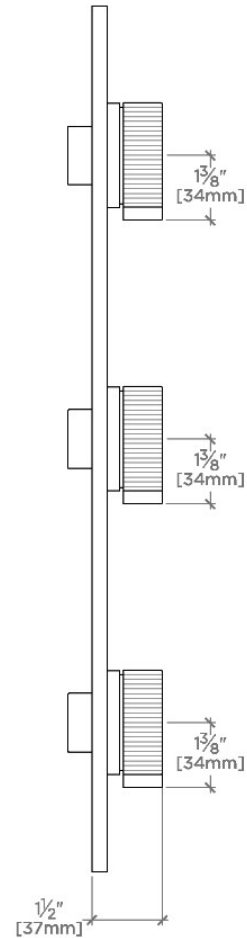
TOP VIEW

SCALE: 3"=1'-0"



FRONT VIEW

SCALE: 3"=1'-0"



SIDE VIEW

SCALE: 3"=1'-0"