

BOND

BTH22D

Bond Union Series Round Thermostatic Control Valve Trim
with Enamel Guilloche Lines Lever Handle



SHOWN IN BOND UNION SERIES ROUND THERMOSTATIC CONTROL VALVE TRIM WITH ENAMEL GUILLOCHE LINES LEVER HANDLE | BTH22D

TECHNICAL DETAILS

ADA Compliance: Yes
Integrated Diverter: N
Number Of Holes: One Hole
Primary Material: Brass

INSPIRATION

Modern designs infused with rare soul and artistry. Explore our wide range of Bond bath and kitchen elements, from fittings to fixtures to hardware.

CODES & STANDARDS

ASME A112.18.1/CSA B125.1, State of MA

PRODUCT FEATURES

Lever Handle

Allows bather to adjust temperature of all waterway outlets with a hot limit safety stop providing anti-scald protection

Features Guilloche Lines combined with Enamel Handle

Stocked in Nickel and Brass

Requires rough valve, sold separately: GUTH56 (1/2") or GUTH38 (3/4")

CERTIFICATIONS

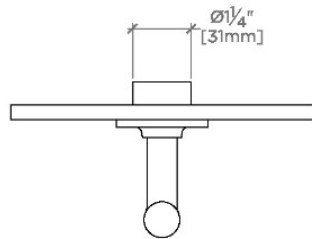


PRODUCT (NOTES)

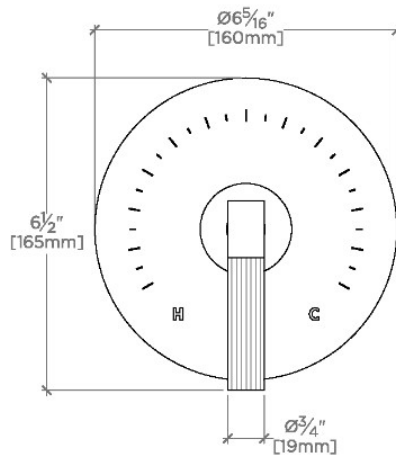
BOND

BTH22D

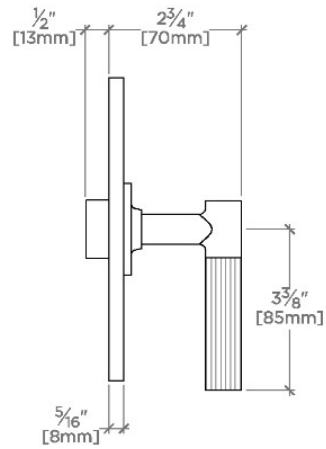
Bond Union Series Round Thermostatic Control Valve Trim
with Enamel Guilloche Lines Lever Handle



TOP VIEW SCALE: 3"=1'-0"



FRONT VIEW SCALE: 3"=1'-0"



SIDE VIEW SCALE: 3"=1'-0"