

## LUDLOW

LDLS01

Ludlow Lavatory Faucet with Cross Handles



SHOWN IN LUDLOW LAVATORY FAUCET WITH CROSS HANDLES | LDLS01

### TECHNICAL DETAILS

ADA Compliance: Yes  
 Adjustable Versus Fixed Spray: Fixed Spray  
 Deck Thickness Maximum: 1.813"  
 Deck Thickness Minimum: 3/8"  
 Depth/Width: 7 7/16"  
 Drain Depth Maximum: 2"  
 Drain Depth Minimum: 0.38"  
 Drain Hole Diameter: 1 1/2"  
 Drain Style: USA Push Touch  
 Escutcheon Primary Material: Brass  
 Fittings Hole Diameter: 1 3/8"  
 Flow Restriction Options: 1.2  
 Handle Spread Maximum: 12"  
 Handle Spread Minimum: 8"  
 Handle Turn Angle: Quarter Turn  
 Height: 3 5/16"  
 Inlet Connection Size: 1/2"  
 Inlet Connection Type: Male with Supply Nut  
 Inlet Supply Spread Maximum: 12"  
 Inlet Supply Spread Minimum: 8"  
 Installation Type: Deck Mounted  
 Integrated Diverter: N  
 Integrated Spray: N  
 Length: 10 1/2"  
 Number Of Handles: Two  
 Number Of Holes: Three Hole  
 Primary Material: Brass  
 Restricted Maximum Flow Rate: 1.2 gpm  
 Spout Swivel: N  
 Spray Included In Unit: N  
 Suggested Application: Bath  
 Valve Material: Ceramic  
 Water Pressure Maximum: 85.0 psi  
 Water Pressure Minimum: 20.0 psi  
 Water Pressure Recommended: 45.0 psi

### INSPIRATION

Our fresh take on American industrial design comes in three styles, each of them clean-lined, and distinct to Waterworks.

### CODES & STANDARDS

LDLS01X, NSF/ANSI/CAN 61:Q < 1, NSF/ANSI/CAN 372, ASME A112.18.1/CSA B125.1, CEC, DOE, State of MA

### PRODUCT FEATURES

Cross Handles

Includes a Universal Push Touch Drain sized to fit US and Euro sink drain openings.

Stocked in a Chrome, Nickel and Brass

Available in 1.2gpm (4.5L/min) flow rate

### CERTIFICATIONS



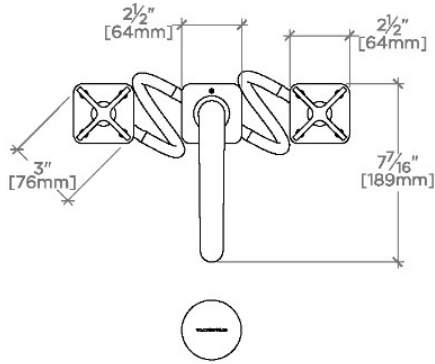
### PRODUCT (NOTES)

# WATERWORKS

## LUDLOW

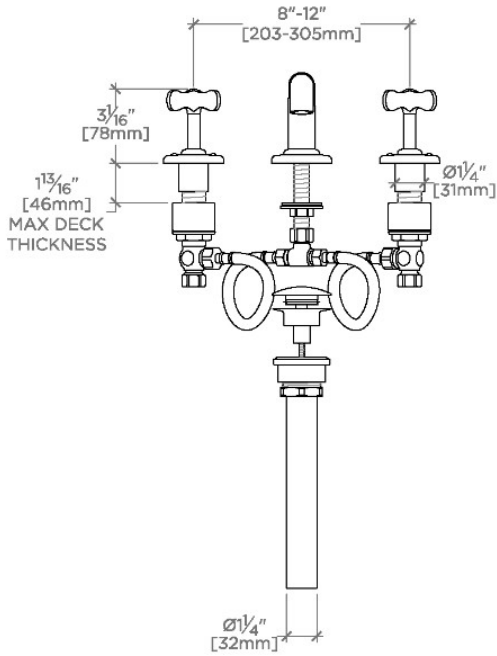
LDLS01

Ludlow Lavatory Faucet with Cross Handles



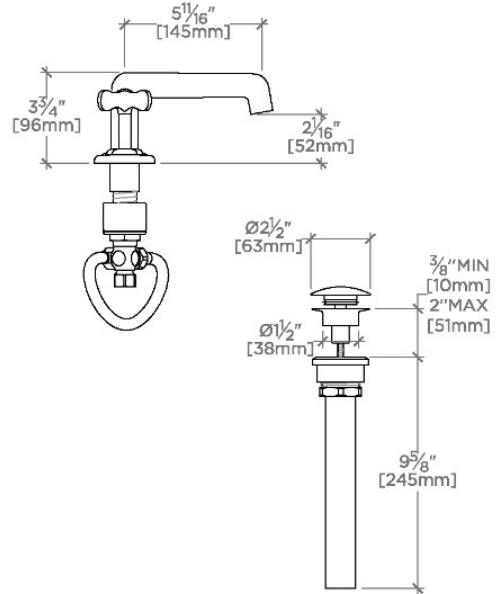
TOP VIEW

SCALE: 1/2"=1'-0"



FRONT VIEW

SCALE: 1/2"=1'-0"



SIDE VIEW

SCALE: 1/2"=1'-0"