

PULLMAN

PLVN03

Pullman Single Vanity with Hardware 37" x 24 1/2" x 34 1/2" with Slab, 4" x 3/4" Backsplash, and Saxby Sink



FILEDESCRIPTION

TECHNICAL DETAILS

ADA Compliance: No
 Adjustable Levelers / Feet: N
 Bowl Shape: Oval
 Depth to Overflow: 114 mm
 Drain Hole Depth: 44 mm
 Drain Hole Diameter: 44 mm
 Fittings Hole Depth: 32 mm
 Fittings Hole Diameter: 35 mm
 Overflow Opening: Yes
 Primary Material: Wood
 Rough-in Supply Height Recommended: 533 mm
 Rough-in Waste Height Recommended: 483 mm
 Sink Visibility: N

INSPIRATION

A custom, layered look that transcends eras. Our exclusive design references iconic campaign furniture & Regency forms, with hand-applied metalwork & integrated hardware.

PRODUCT FEATURES

Vanity with Integrated Hardware

Stocked in Clear Oak, Antique Walnut Finish or Factory Finished in Chalk, Driftwood, Midnight, Steel, Franklin Gray, or Whisper

Specify Brass or Nickel Hardware when ordering

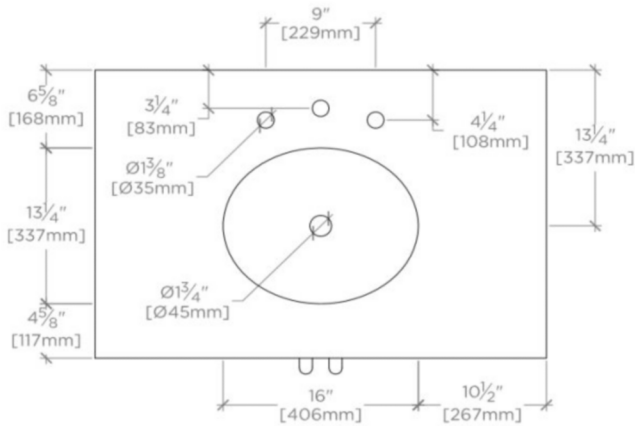
Includes Saxby sink and choice of stocked stone tops in Carrara or Arabescato.

Install with or without backsplash (included)

PULLMAN

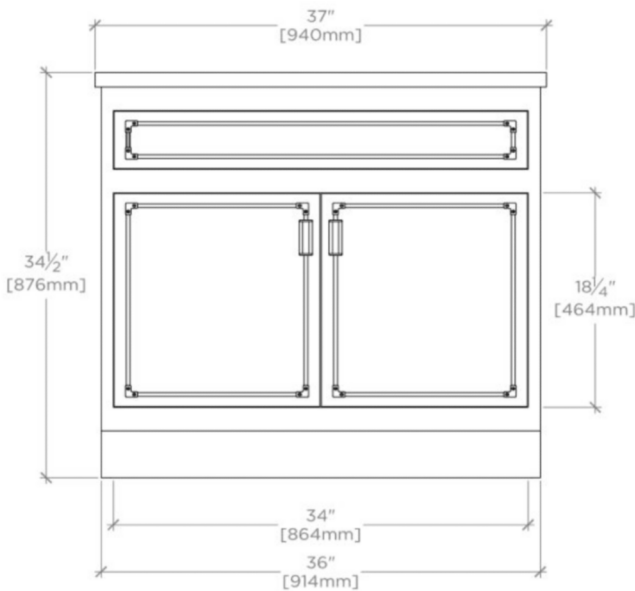
PLVN03

Pullman Single Vanity with Hardware 37" x 24 1/2" x 34 1/2" with Slab, 4" x 3/4" Backsplash, and Saxby Sink



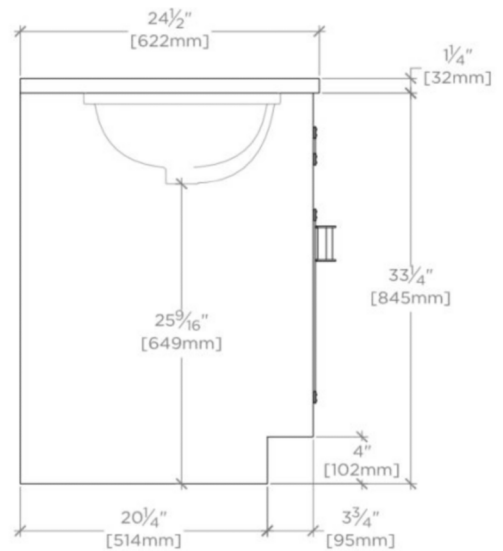
TOP VIEW

SCALE: $\frac{3}{4}"=1'-0"$



FRONT VIEW

SCALE: $\frac{3}{4}"=1'-0"$



SIDE VIEW

SCALE: $\frac{3}{4}"=1'-0"$