

REGULATOR

RG01HS

Regulator Handshower on Hook with Black Handle



SHOWN IN REGULATOR HANDSHOWER ON HOOK WITH BLACK HANDLE| RGHS01

TECHNICAL DETAILS

Escutcheon Primary Material: Brass
Fittings Hole Diameter: 25 mm
Flow Restriction Options: 0.92, 1.5, 1.75, 2.0, 2.2, 2.5
Depth / Width: 137 mm
Height: 305 mm
Inlet Connection Size: 1/2"
Inlet Connection Type: Male BSPP
Length: 100 mm
Primary Material: Brass
Suggested Application: Bath
Water Pressure Maximum: 6.0 bar
Water Pressure Minimum: 1.5 bar
Water Pressure Recommended: 3.0 bar

INSPIRATION

A play on industrial controls from the early 1900s, when pride was lavished on parts. Translated to handcrafted, fittings project rugged beauty through powerful, detailed shapes.

PRODUCT FEATURES

Features a supply elbow with separate hook to hold the handshower.

Features anti-drip technology

Stocked in Nickel, Chrome and Unlacquered Brass

Standard flow rate is 2.5gpm (9.5 L/min). Also available in high efficient flow options. Contact your sales associate or call 1 (800) 899-6757 for details.

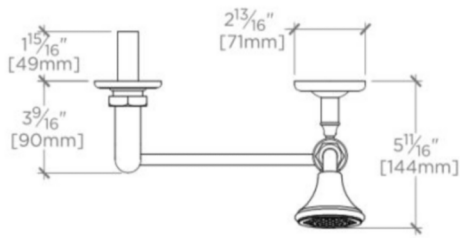
WATERWORKS

REGULATOR

RG01HS

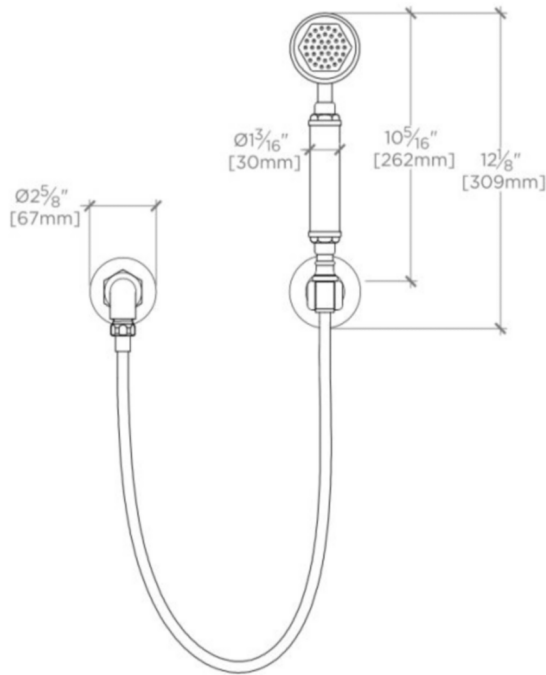
Regulator Handshower on Hook with Black Handle

ADAPTER(S) PACKAGED SEPARATELY		
ADAPTER	DESCRIPTION	QTY
UNUK04	½" NPT Male x ½" Male Nipple 50mm Long BSP	1



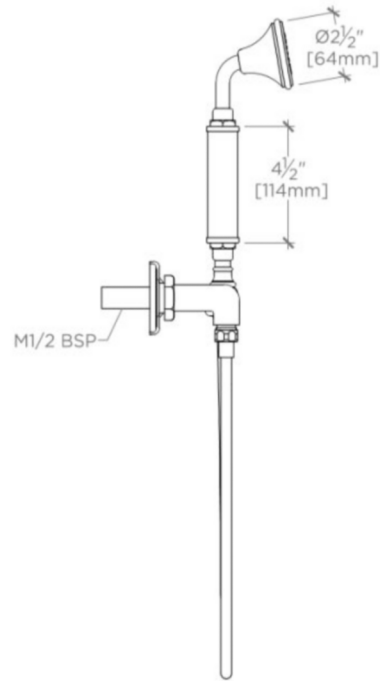
TOP VIEW

SCALE: 1½"=1'-0"



FRONT VIEW

SCALE: 1½"=1'-0"



SIDE VIEW

SCALE: 1½"=1'-0"