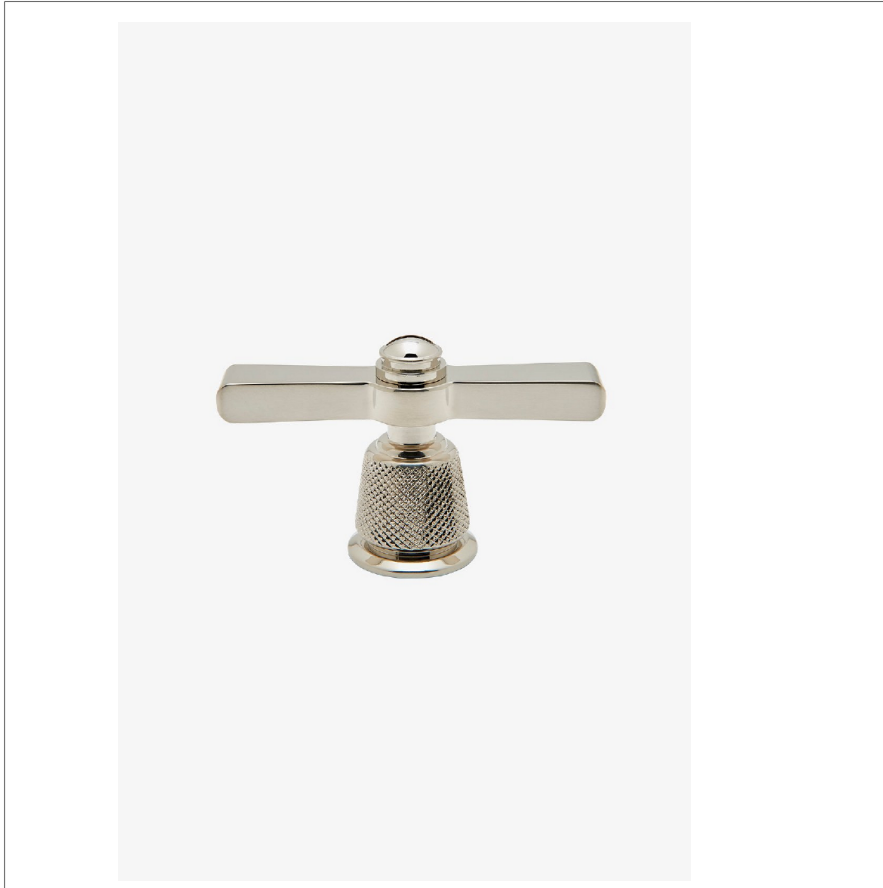


R.W. Atlas

RWHW08

R.W. Atlas 3 1/4" Wing Handle Pull



SHOWN IN R.W. ATLAS 3 1/4" WING HANDLE PULL | RWHW08

TECHNICAL DETAILS

Depth/Width: 25 mm
Hardware Primary Material: Brass
Hardware Shape: Knob
Height: 83 mm
Length: 83 mm
Primary Material: Brass
Suggested Application: All Applications

INSPIRATION

Powerful shapes, exquisite materials, and unique aesthetic details define R.W. Atlas. This groundbreaking collection pairs American ingenuity with European craftsmanship, delivering refined industrial-inspired character that fits seamlessly into any space.

CODES & STANDARDS

PRODUCT FEATURES

Solid Brass

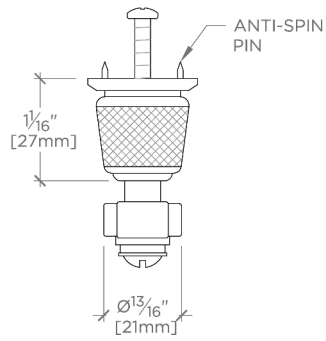
Machined and hand-polished

Made in Portugal

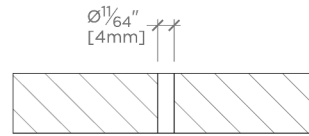
Includes 1 x M4 Pan Head Slot 1" Machine Screw and 1 x M4 Pan Head Slot 1 1/2" Machine Screw

CERTIFICATIONS

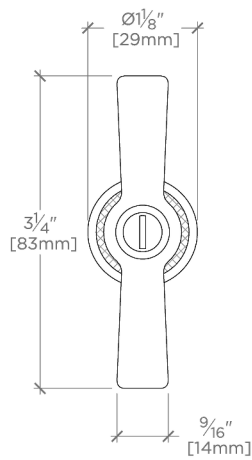
Replacement Screws available
PRODUCT (NOTES)



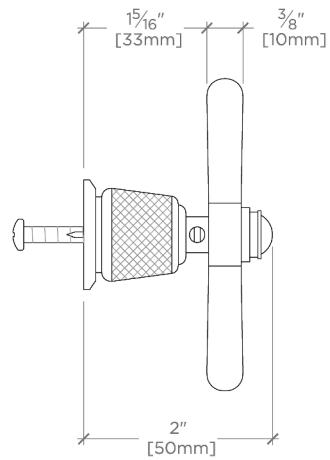
TOP VIEW SCALE: 6"=1'-0"



RECOMMENDED DRILLING



FRONT VIEW SCALE: 6"=1'-0"



SIDE VIEW SCALE: 6"=1'-0"