

Highgate

HG3P10

Highgate Three Way Diverter Valve Trim for Pressure Balance with Roman Numerals and Porcelain Lever Handle



SHOWN IN HIGHGATE THREE WAY DIVERTER VALVE TRIM FOR PRESSURE BALANCE WITH ROMAN NUMERALS AND PORCELAIN LEVER HANDLE | HG3P10

INSPIRATION

Our take on old English style: simple, functional shapes, detailed with white porcelain indices and hexagonal accents for a timeless feel.

PRODUCT FEATURES

Lever Handle

For Use With a Pressure Balance Shower System and Three Waterway Outlets

Features Roman Numerals Representing Outlet Position

Stocked in Chrome, Nickel, Brass

Requires valve rough sold separately

TECHNICAL DETAILS

ADA Compliance: Yes

Fittings Hole Diameter: 51 mm

Handle Turn Angle: Quarter Turn Each Way

Number Of Holes: One Hole

Primary Material: Brass

CODES & STANDARDS

HG3P10X, ASME A112.18.1/CSA B125.1, State of MA

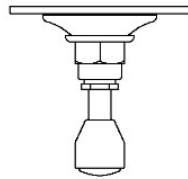
CERTIFICATIONS

PRODUCT (NOTES)

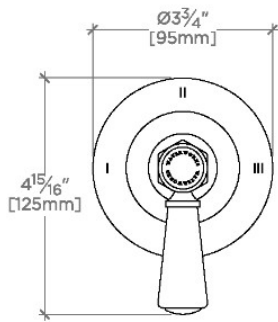
Highgate

HG3P10

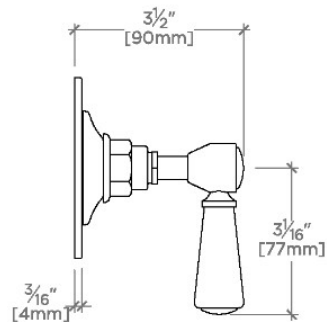
Highgate Three Way Diverter Valve Trim for Pressure
Balance with Roman Numerals and Porcelain Lever Handle



TOP VIEW SCALE: 3"=1'-0"



FRONT VIEW SCALE: 3"=1'-0"



SIDE VIEW SCALE: 3"=1'-0"