

## Universal

Universal Shower Drain

UNSD02



SHOWN IN UNIVERSAL SHOWER DRAIN | UNSD02

### TECHNICAL DETAILS

Depth/Width: 213 mm  
Drain Assembly Materials: Iron  
Drain Depth Maximum: 25 mm  
Drain Depth Minimum: 6 mm  
Drain Hole Diameter: 51 mm  
Drain Style: Fixed Strainer  
Escutcheon Primary Material: Brass  
Height: 127 mm  
Length: 213 mm  
Outlet Connection Size: 2"  
Outlet Connection Type: No Hub  
Primary Material: Brass  
Suggested Application: Bath

### INSPIRATION

Our Universal collection features timeless designs complementing any of our Waterworks. With a wide range of product, from fittings to accessories, Universal adds exquisite proportion and balance to any environment.

### CODES & STANDARDS

Code # WWSD02: ASME A112.18.2 / CSA B125.2, IAPMO, State of MA

### PRODUCT FEATURES

The artfully designed shower drain brings style and grace right down to your toes, with a five inch square geometric face plate

This item is stocked in a Chrome, Nickel or Matte Nickel finishes and additional made-to-order finish options are available in 12 weeks from purchase

Clean and timeless in design, this beautiful shower drain is made with brass materials

This single drain can handle 17 gpm

### CERTIFICATIONS

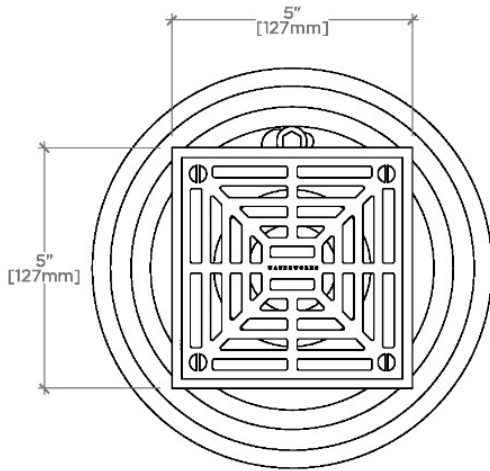


### PRODUCT (NOTES)

## Universal

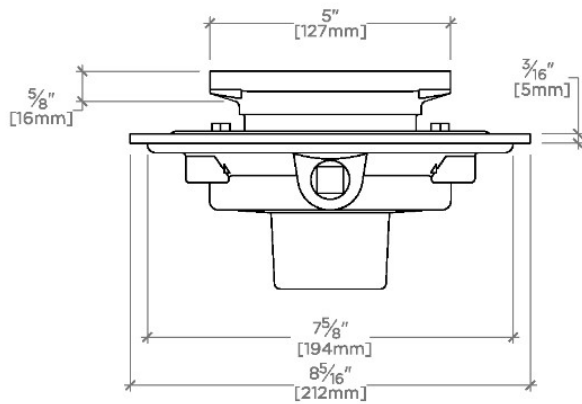
UNSD02

Universal Shower Drain



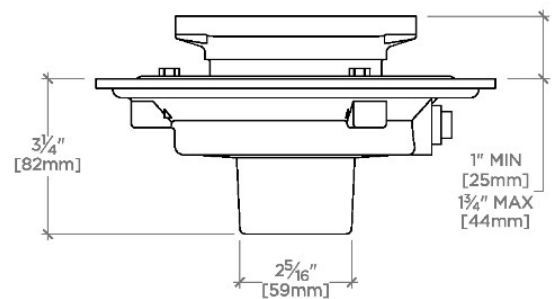
TOP VIEW

SCALE: 3"=1'-0"



FRONT VIEW

SCALE: 3"=1'-0"



SIDE VIEW

SCALE: 3"=1'-0"