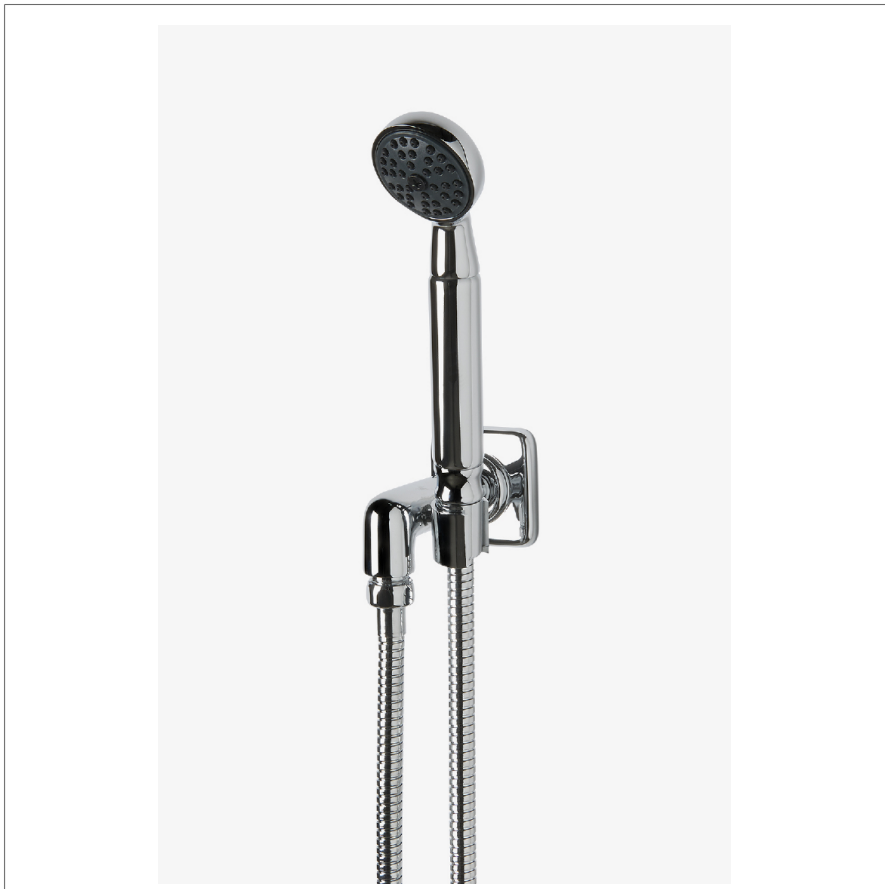


## LUDLOW

LDHS01

Ludlow Handshower On Hook



SHOWN IN LUDLOW HANDSHOWER ON HOOK | LDHS01

### TECHNICAL DETAILS

ADA Compliance: When installed per ADA guidelines  
 Adjustable Versus Fixed Spray: Fixed Spray  
 Depth/Width: 4 5/8"  
 Diameter Of Head: 2 1/16"  
 Escutcheon Primary Material: Brass  
 Fittings Hole Diameter: 1 3/8"  
 Flow Restriction Options: 1.75  
 Handshower Spray Hose Length: 60"  
 Height: 10 1/16"  
 Inlet Connection Size: 1/2"  
 Inlet Connection Type: Female NPT  
 Installation Type: Wall Mounted  
 Integrated Diverter: N  
 Length: 3 1/2"  
 Pivot: N  
 Primary Material: Brass  
 Suggested Application: Bath  
 Water Pressure Maximum: 85.0 psi  
 Water Pressure Minimum: 20.0 psi  
 Water Pressure Recommended: 45.0 psi

### INSPIRATION

Our fresh take on American industrial design comes in three styles, each of them clean-lined, and distinct to Waterworks.

### CODES & STANDARDS

LDHS01X, ASME A112.18.1/CSA B125.1,  
 WaterSense(1.5gpm and 1.75gpm Only), Waterworks  
 Handshowers use check valves compliant to ASME  
 A112.18.3 for backflow protection. CEC, State of MA

### PRODUCT FEATURES

Handshower design features metal handle with round spray pattern, a 2" Head, Rubber Nozzles for easy clean & drip reduction system

BSPB Threaded Adapter included for International Plumbing Installations.

Stocked in a Chrome, Nickel and Brass

Available in 1.75gpm (6.6L/min) flow rate

### CERTIFICATIONS



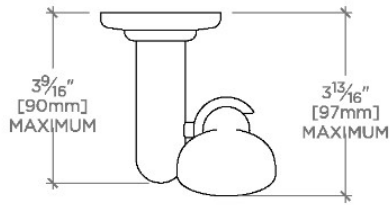
### PRODUCT (NOTES)

# WATERWORKS

## LUDLOW

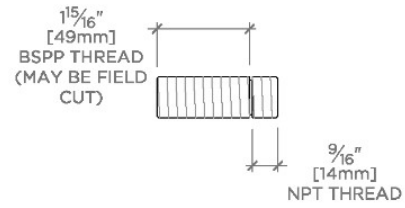
LDHS01

Ludlow Handshower On Hook

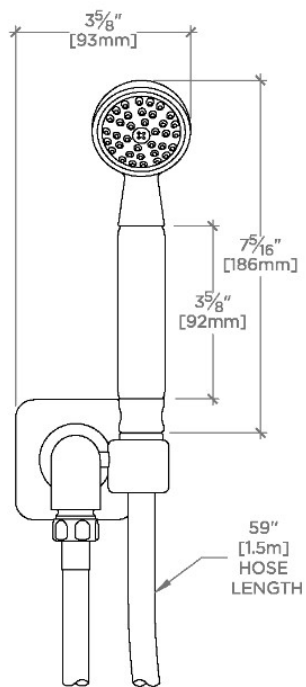


TOP VIEW

SCALE: 3"=1'-0"

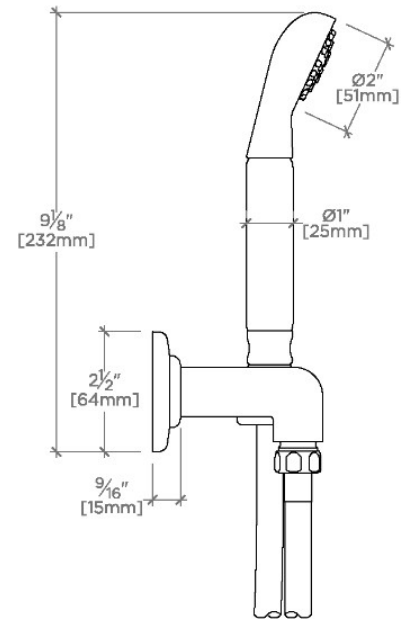


ADAPTER INCLUDED -INTERNATIONAL USE ONLY



FRONT VIEW

SCALE: 3"=1'-0"



SIDE VIEW

SCALE: 3"=1'-0"