

## JULIA

Julia Thermostatic Control Valve Trim with Metal Cross Handle

JUTH59



### TECHNICAL DETAILS

ADA Compliance: Yes  
 Control Valve Rough-in Depth Maximum: 216 mm  
 Control Valve Rough-in Depth Minimum: 51 mm  
 Diverter Valve Rough-in Depth Maximum: 67 mm  
 Diverter Valve Rough-in Depth Minimum: 57 mm  
 Escutcheon Primary Material: Brass  
 Index Color / Finish and Material: White Porcelain  
 Depth / Width: 86 mm  
 Height: 152 mm  
 Index Marking: Waterworks  
 Integrated Diverter: N  
 Length: 152 mm  
 Number of Handles: One  
 Primary Material: Brass  
 Suggested Application: Bath

### INSPIRATION

An interpretation of 1920s French country, Julia speaks to decoration and intricate design displayed through beautifully composed turnings. These details embody the robust, signature high profile spout enabling Julia to transition fluidly from informal to formal environments.

### CODES & STANDARDS

Code # JUSV59: ASME A112.18.1 / CSA B125.1, State of MA

### PRODUCT FEATURES

Cross handle features a white porcelain index.

Set the water temperature at the desired level, marked in fahrenheit numbers on the metal dial face.

Allows bather to adjust temperature of all waterway outlets.

Hot limit safety stop provides anti-scald protection.

### CERTIFICATIONS



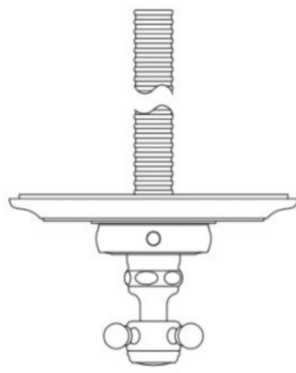
### PRODUCT (NOTES)

Required valve GUSV37 sold separately.

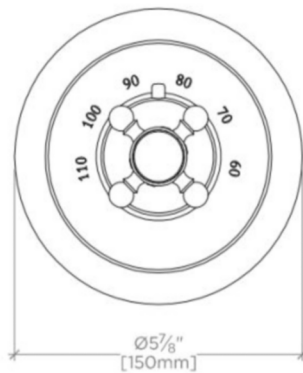
## JULIA

## JUTH59

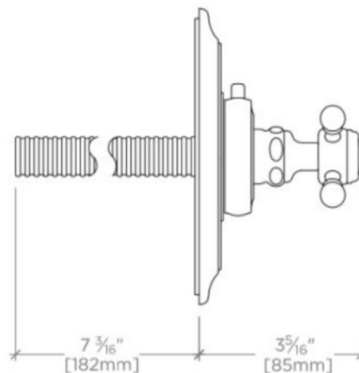
Julia Thermostatic Control Valve Trim with Metal Cross Handle



TOP VIEW SCALE: 3"=1'-0"



FRONT VIEW SCALE: 3"=1'-0"



SIDE VIEW SCALE: 3"=1'-0"