

# INSTALLATION GUIDELINES

## UNIVERSAL WATER CHILLER FOR USE WITH WATER DISPENSER

### IMPORTANT:

- To ensure this product is installed properly, you must read and follow these guidelines.
- The owner/user of this product must keep this information for future reference.
- This product must be installed by a professional licensed contractor.
- Be sure your installation conforms to federal, state, and local codes. In the State of Massachusetts, all installations must comply with the rules and regulations set forth within 248 CMR.
- Inspect this product to ensure you have all the parts required for proper installation. Product is sold partially assembled but shown fully disassembled for illustrative and service purposes only.
- Water may drip from the SPOUT [SOLD SEPARATELY] for a few minutes after shut off due to the Hot Water Tank [SOLD SEPARATELY] bringing the water back to the set temperature.
- Use only a strap wrench or protected/smooth-jaw wrench on any finished surface.
- The use of certain plumber's putty may stain stone or tile surfaces.
- If further assistance is required, please contact Product Support at 1-800-927-2120 Monday through Friday, 8am - 6pm EST.
- Refer to the separate water dispenser install for instructions.
- Refer to the separate Service Parts Documents for available replacement parts.

### TECHNICAL DETAILS:

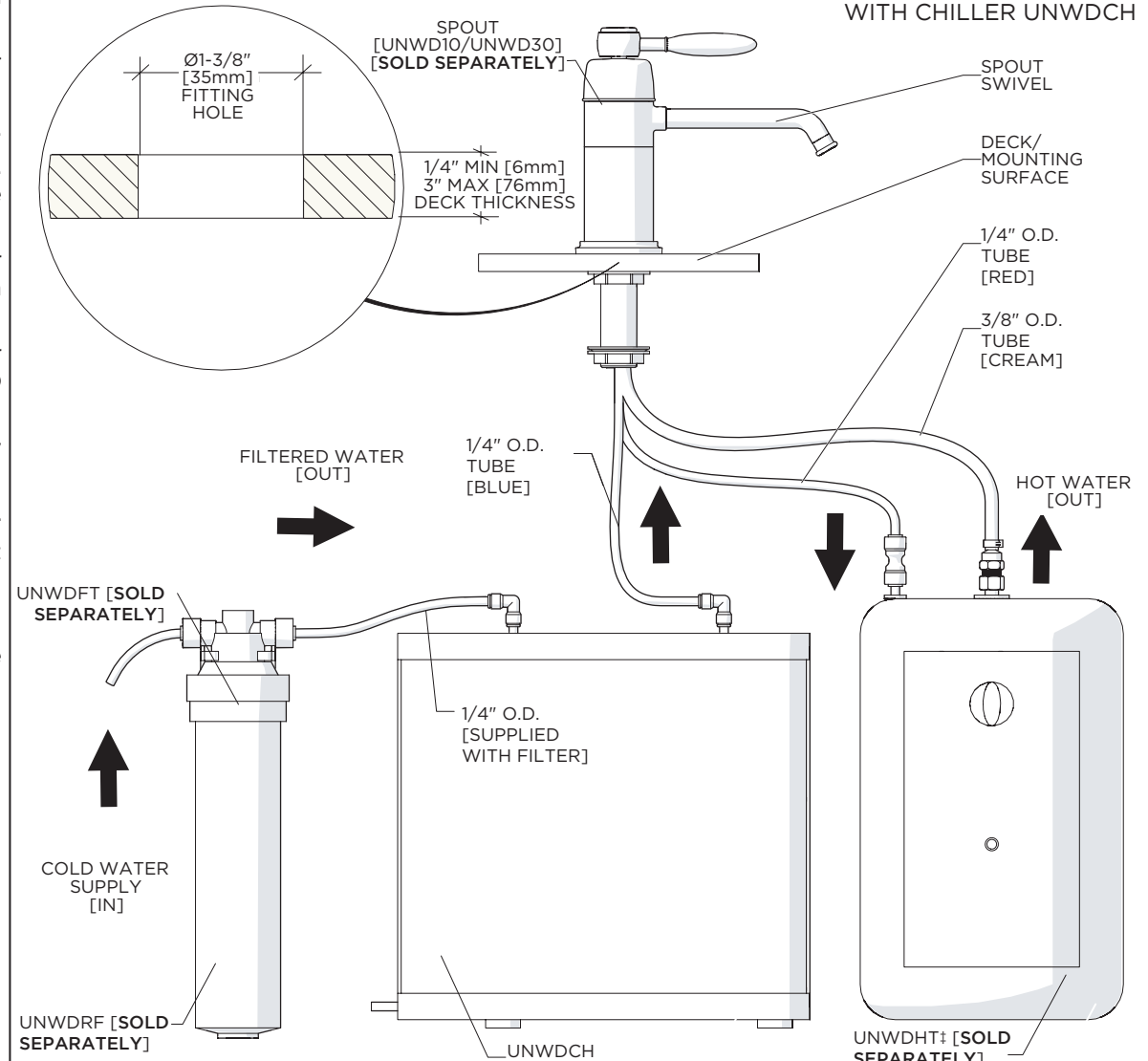
DETAIL	SPECIFICATION
INLET/OUTLET CONNECTION	1/4" TUBE O.D.

### SOLD SEPARATELY:

STYLE	DESCRIPTION
UNWD10/ UNWD30	Universal One Hole Instant Hot and Filtered Cold Water Dispenser with Metal Lever Handle
UNWDHT‡	Universal Hot Water Tank for Use With Water Dispenser
UNWDFT	Universal Carbon Filtration System for Use With Water Dispenser

‡ WARNING: This product cannot be used with a Hot Water Tank that requires a dedicated vent tube. Use tanks with only 1 INLET and 1 OUTLET.

### SYSTEM LAYOUT



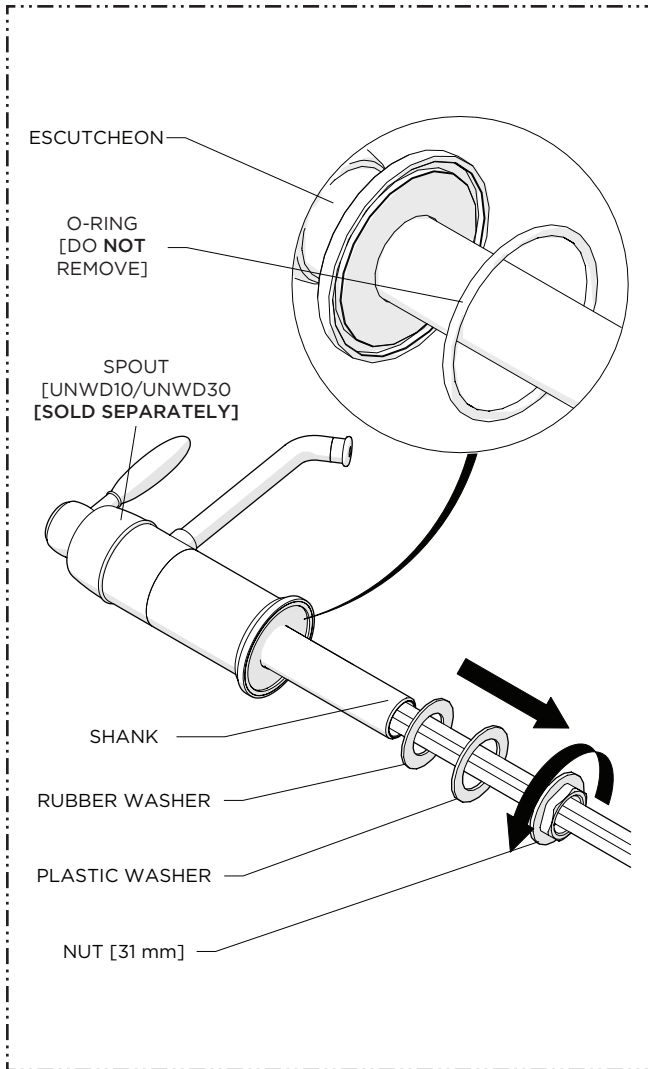
**REPLACEMENT ITEMS:** Universal Pure Carbon Filter Replacement Cartridge UNWDRF

**WATER PRESSURE RANGE:** 20psi [1.5 bar] MIN, 85psi [6.0 bar] MAX 45psi [3.0 bar] RECOMMENDED

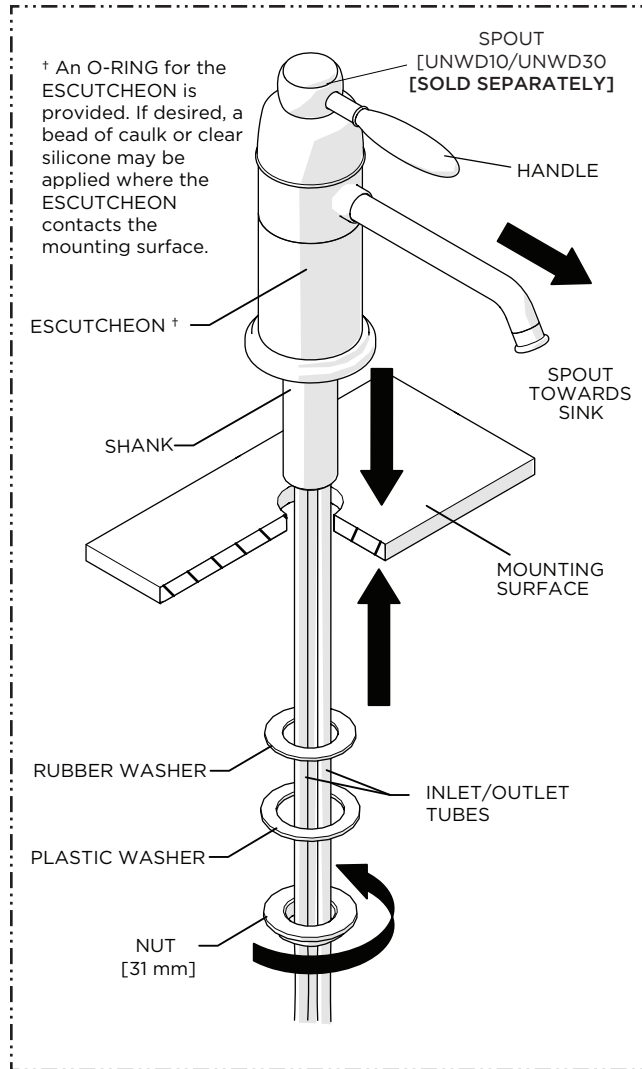
# INSTALLATION GUIDELINES

## UNIVERSAL WATER CHILLER FOR USE WITH WATER DISPENSER

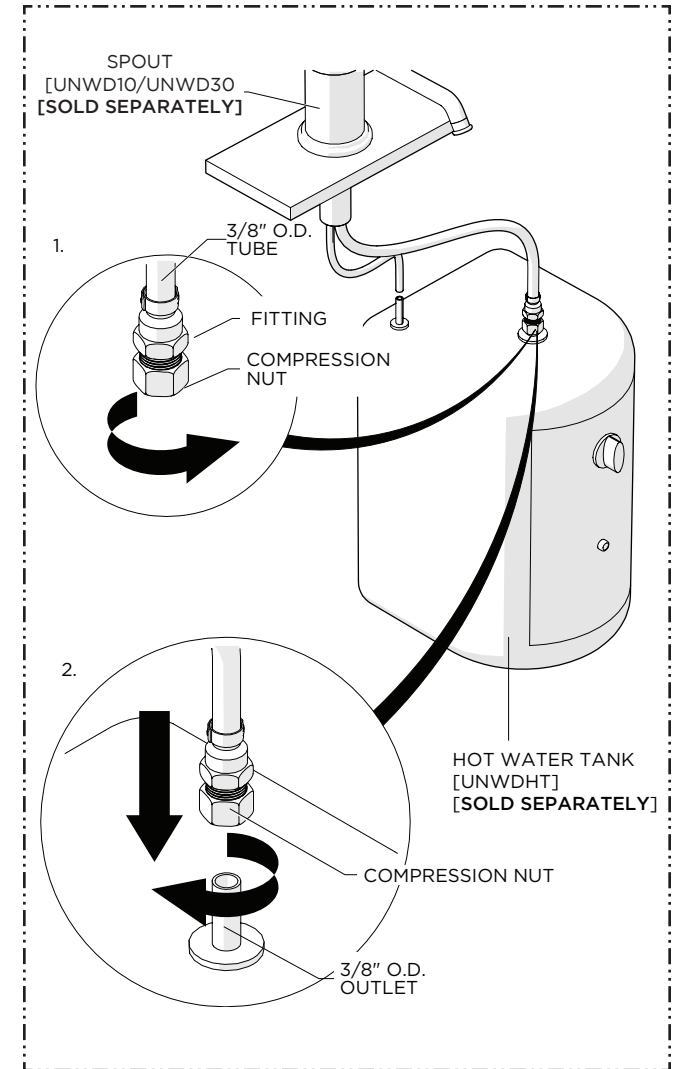
WATERWORKS



1. Unthread and remove the NUT, PLASTIC WASHER and RUBBER WASHER from the SHANK.  
**NOTE:** Do **NOT** remove the O-RING beneath the ESCUTCHEON.



2. Insert the INLET/OUTLET TUBES and SHANK through the hole on the mounting surface. Place HANDLE in off position, line up SPOUT with HANDLE and position SPOUT over sink in desired location then re-attach the WASHERS and securely tighten the NUT.  
**NOTE:** Do **NOT** remove the lower deck WASHERS.

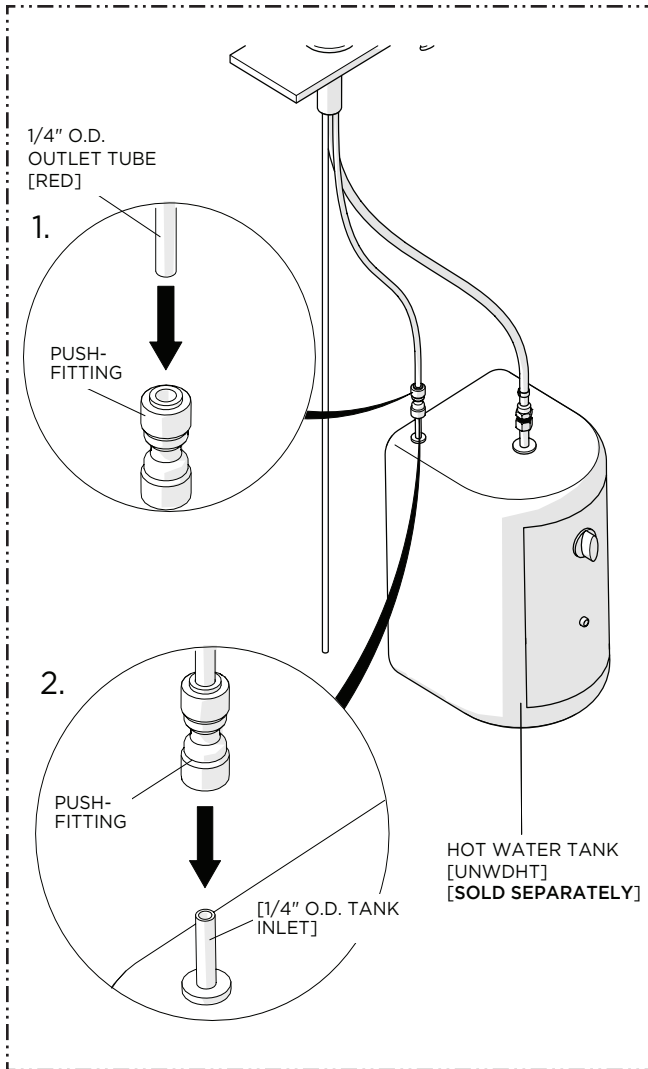


3. Untighten, but **DO NOT REMOVE**, the COMPRESSION NUT attached to the FITTING on the 3/8" O.D. TUBE. Slide the FITTING and COMPRESSION NUT over the 3/8" O.D. OUTLET from the HOT WATER TANK [SOLD SEPARATELY] and securely tighten the COMPRESSION NUT.

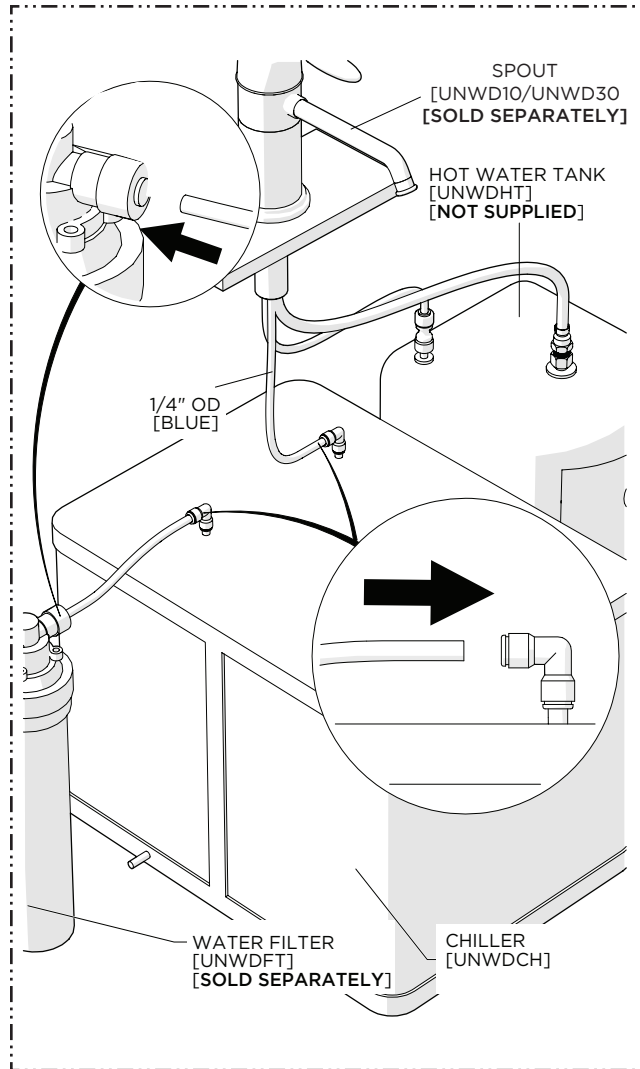
# INSTALLATION GUIDELINES

## UNIVERSAL WATER CHILLER FOR USE WITH WATER DISPENSER

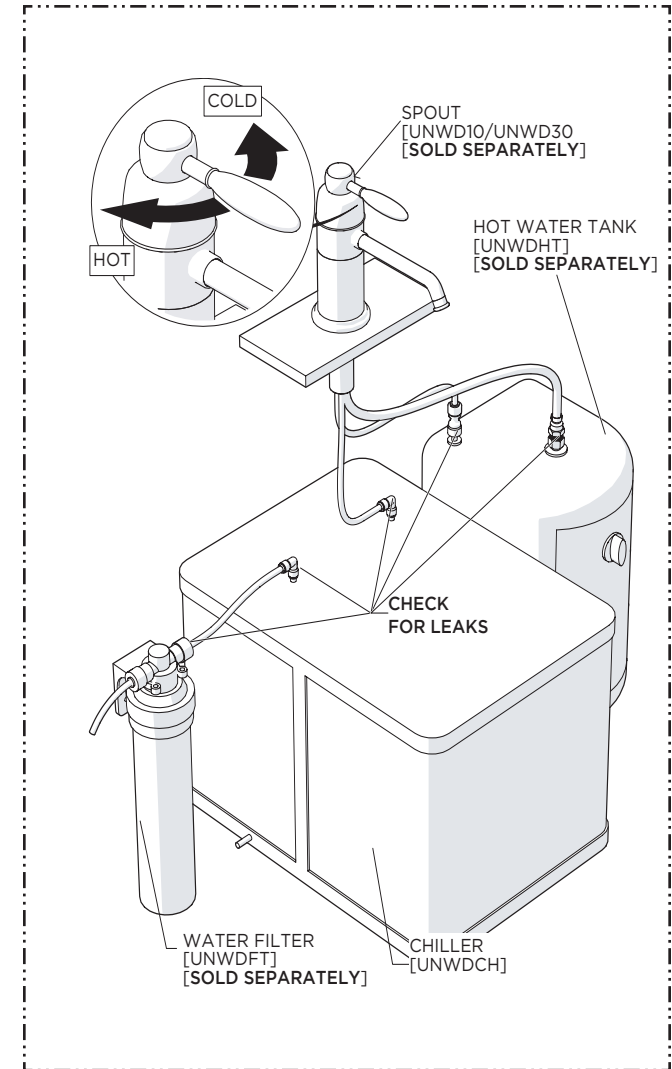
# WATERWORKS



4. Insert the RED 1/4" O.D. OUTLET TUBE from the SPOUT into the PUSH-FITTING then connect the FITTING to the 1/4" O.D. TANK INLET.



5. Insert the BLUE 1/4" O.D. TUBE from the SPOUT into the CHILLER 1/4" OUTLET. Insert 1/4" O.D. TUBE [SUPPLIED WITH THE FILTER] from the WATER FILTER OUTLET [SOLD SEPARATELY] into the CHILLER INLET.



6. Turn on the water to flush out any debris in the supply lines, operate the HANDLE and SPOUT to ensure they function properly and inspect all connection for leaks.

**NOTE:** Water may drip from the SPOUT for a few minutes after shut off due to the HOT WATER TANK [SOLD SEPARATELY] bringing the water back to the set temperature.