

## Highgate

HGS335

Highgate 2 3/4" Showerhead with Adjustable Spray with 8" Wall Mounted 45 Degree Shower Arm



SHOWN IN HIGHGATE 2 3/4" SHOWERHEAD WITH ADJUSTABLE SPRAY WITH 8" WALL MOUNTED 45 DEGREE SHOWER ARM | HGS335

### INSPIRATION

Our take on old English style: simple, functional shapes, detailed with white porcelain indices and hexagonal accents for a timeless feel.

### PRODUCT FEATURES

Made of Brass

Features a swivel 2 3/4" showerhead with two adjustable spray patterns

Includes a 8" wall mounted 45 degree shower arm

Stocked in Brass, Chrome and Nickel

Showerhead available in 1.75gpm (6.6L/min) flow rate

### TECHNICAL DETAILS

Adjustable Versus Fixed Spray: Adjustable Spray

Fittings Hole Diameter: 32 mm

Flow Restriction Options: 1.5, 1.75, 2.0

Inlet Connection Size: 1/2"

Inlet Connection Type: Male NPT

Pivot: Y

Primary Material: Brass

Restricted Maximum Flow Rate: 6.6 liters/min

Water Pressure Maximum: 6.0 bar

Water Pressure Minimum: 1.5 bar

Water Pressure Recommended: 3.0 bar

### CODES & STANDARDS

HGS335X, ASME A112.18.1/CSA B125.1, CEC(1.5GPM & 1.75GPM Only), WaterSense(1.5GPM, 1.75GPM & 2.0GPM Only), DOE, State of MA

### CERTIFICATIONS

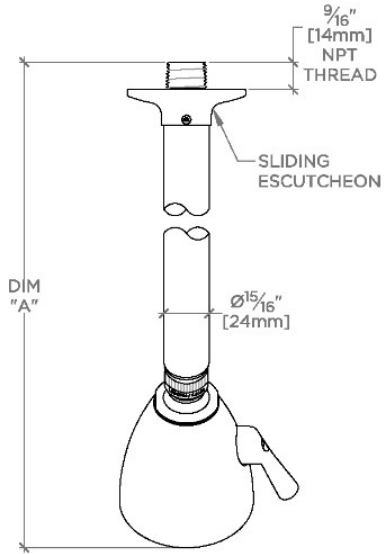


### PRODUCT (NOTES)

## Highgate

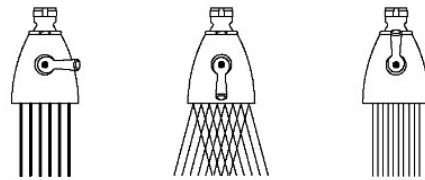
## HGS335

Highgate 2 3/4" Showerhead with Adjustable Spray with 8" Wall Mounted 45 Degree Shower Arm

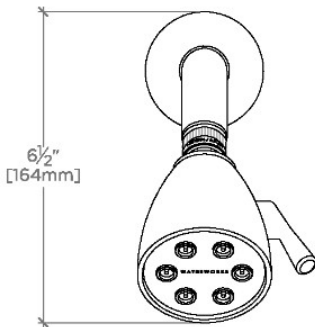


TOP VIEW SCALE: 3"=1'-0"

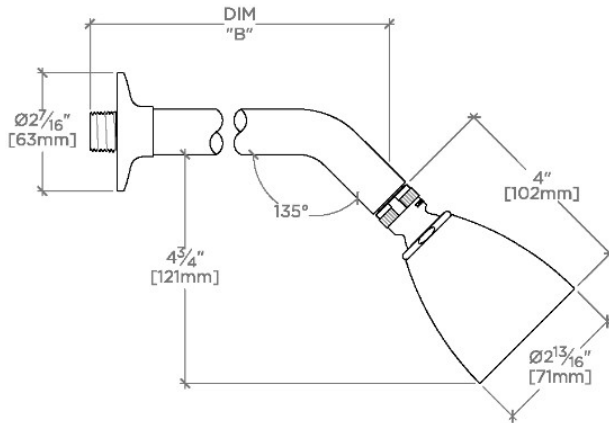
STYLE NO.	DIM "A"	DIM "B"
DSS334	10 1/16" [256mm]	6 1/4" [158mm]
HGS334		
RRS334		
DSS335	12 1/16" [307mm]	8 1/4" [209mm]
HGS335		
RRS335		



SPRAY PATTERNS



FRONT VIEW SCALE: 3"=1'-0"



SIDE VIEW SCALE: 3"=1'-0"