

Easton

EAXT22

Easton Classic Exposed Tub Filler, Metal Handshower and Lever Diverter



SHOWN IN EASTON CLASSIC EXPOSED TUB FILLER, METAL HANDSHOWER AND LEVER DIVERTER | EAXT22

TECHNICAL DETAILS

ADA Compliance: No
 Adjustable Versus Fixed Spray: Fixed Spray
 Depth/Width: 171 mm
 Diameter Of Head: 76 mm
 Escutcheon Primary Material: Brass
 Flow Restriction Options: 1.75
 Handle Spread Maximum: 184 mm
 Handle Spread Minimum: 184 mm
 Handle Turn Angle: Quarter Turn
 Handshower Spray Hose Length: 1.5 m
 Height: 394 mm
 Index Color Finish And Material: White Porcelain
 Index Marking: Hot/Cold
 Inlet Connection Size: 3/4"
 Inlet Connection Type: Supply Nut
 Inlet Supply Spread Maximum: 184 mm
 Inlet Supply Spread Minimum: 184 mm
 Installation Type: Wall or deck mounted
 Integrated Diverter: Y
 Length: 279 mm
 Number Of Handles: Three
 Pivot: N
 Primary Material: Brass
 Restricted Maximum Flow Rate: 6.6 liters/min
 Spout Swivel: N
 Suggested Application: Bath
 Valve Material: ceramic
 Water Pressure Maximum: 5.0 bar
 Water Pressure Minimum: 1.5 bar
 Water Pressure Recommended: 3.0 bar

INSPIRATION

Drawing on Edwardian style, Easton is the most extensive Waterworks family; a range of moods and a selection of products from fittings to furniture.

CODES & STANDARDS

EAXT22X, ASME A112.18.1/CSA B125.1, Waterworks Handshowers use check valves compliant to ASME A112.18.3 for backflow protection, CEC, DOE, State of MA

PRODUCT FEATURES

Easton is our most comprehensive fittings family.

Easton has a clean-lined utilitarian profile, with a slightly elongated spout.

Unions sold separately - UNUN60 (Floor Union), EAUN16 (Deck Union) and EAUN18 (Wall Union)

Unrestricted flow for tub spout. Handshower available in 1.75gpm (6.6L/min) flow rate

CERTIFICATIONS

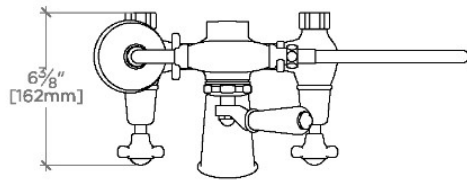


PRODUCT (NOTES)

Easton

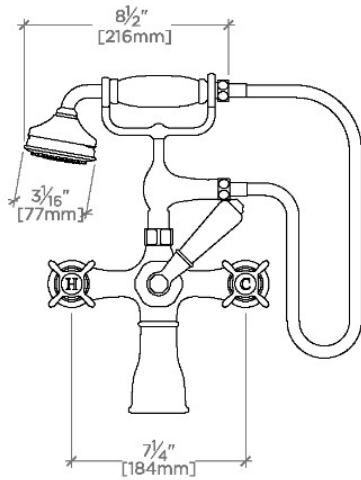
EAXT22

Easton Classic Exposed Tub Filler, Metal Handshower and Lever Diverter



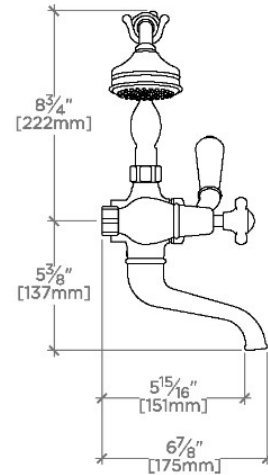
TOP VIEW

SCALE: 1/2"=1'-0"



FRONT VIEW

SCALE: 1/2"=1'-0"



SIDE VIEW

SCALE: 1/2"=1'-0"