

## HIGHGATE

## HGS335

Highgate 2 3/4" Showerhead with Adjustable Spray with 8" Wall Mounted 45 Degree Shower Arm



SHOWN IN HIGHGATE 2 3/4" SHOWERHEAD WITH ADJUSTABLE SPRAY WITH 8" WALL MOUNTED 45 DEGREE SHOWER ARM | HGS335

### INSPIRATION

Our take on old English style: simple, functional shapes, detailed with white porcelain indices and hexagonal accents for a timeless feel.

### PRODUCT FEATURES

- Made of Brass
- Features a swivel 2 3/4" showerhead with two adjustable spray patterns
- Includes a 8" wall mounted 45 degree shower arm
- Stocked in Brass, Chrome and Nickel
- Showerhead available in 1.75gpm (6.6L/min) flow rate

### TECHNICAL DETAILS

Adjustable Versus Fixed Spray: Adjustable Spray  
 Fittings Hole Diameter: 1 1/4"  
 Flow Restriction Options: 1.5, 1.75, 2.0  
 Inlet Connection Size: 1/2"  
 Inlet Connection Type: Male NPT  
 Pivot: Y  
 Primary Material: Brass  
 Restricted Maximum Flow Rate: 1.75 gpm  
 Water Pressure Maximum: 85.0 psi  
 Water Pressure Minimum: 20.0 psi  
 Water Pressure Recommended: 45.0 psi

### CODES & STANDARDS

HGS335X, ASME A112.18.1/CSA B125.1, CEC(1.5GPM & 1.75GPM Only), WaterSense(1.5GPM, 1.75GPM & 2.0GPM Only), DOE, State of MA

### CERTIFICATIONS



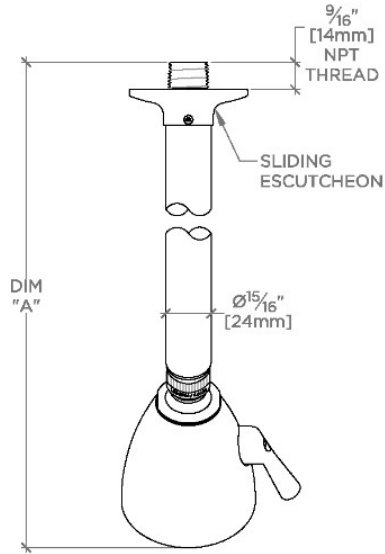
### PRODUCT (NOTES)

# WATERWORKS

## HIGHGATE

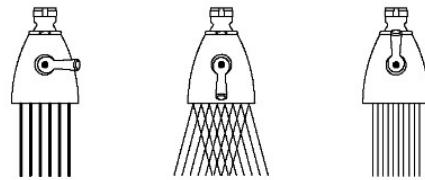
## HGS335

Highgate 2 3/4" Showerhead with Adjustable Spray with 8" Wall Mounted 45 Degree Shower Arm

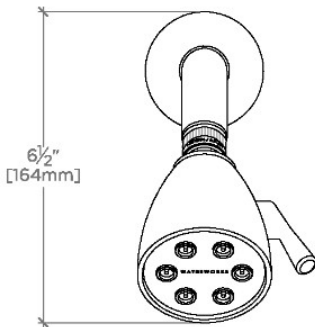


TOP VIEW SCALE: 3"=1'-0"

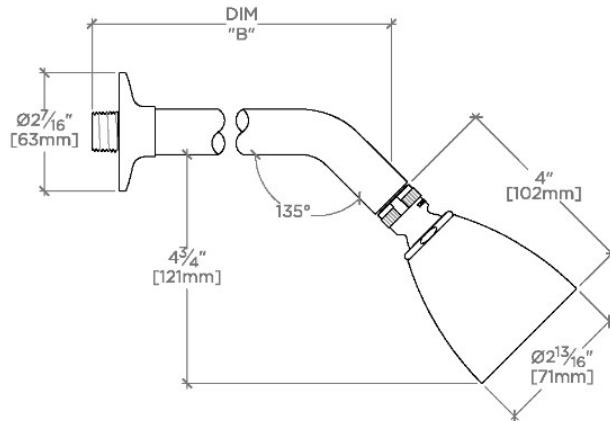
STYLE NO.	DIM "A"	DIM "B"
DSS334	10 1/16" [256mm]	6 1/4" [158mm]
HGS334		
RRS334		
DSS335	12 1/16" [307mm]	8 1/4" [209mm]
HGS335		
RRS335		



SPRAY PATTERNS



FRONT VIEW SCALE: 3"=1'-0"



SIDE VIEW SCALE: 3"=1'-0"