

## Bond

BLS490

Bond Solo Series One Hole Lavatory Faucet with Straight Lever Handle



SHOWN IN BOND SOLO SERIES ONE HOLE LAVATORY FAUCET WITH STRAIGHT LEVER HANDLE | BLS490

### TECHNICAL DETAILS

ADA Compliance: Yes  
 Deck Thickness Maximum: 46 mm  
 Deck Thickness Minimum: 6 mm  
 Drain Depth Maximum: 67 mm  
 Drain Depth Minimum: 10 mm  
 Drain Hole Diameter: 44 mm  
 Drain Style: Push Touch  
 Fittings Hole Diameter: 35 mm  
 Flow Restriction Options: 1.2  
 Handle Turn Angle: Quarter Turn  
 Inlet Connection Size: 3/8"  
 Inlet Connection Type: Compression Connection  
 Hoses  
 Number Of Holes: One Hole  
 Primary Material: Brass  
 Restricted Maximum Flow Rate: 4.5 liters/min  
 Spout Swivel: Y  
 Valve Material: Ceramic  
 Water Pressure Maximum: 6.0 bar  
 Water Pressure Minimum: 1.5 bar  
 Water Pressure Recommended: 3.0 bar

### INSPIRATION

Modern designs infused with rare soul and artistry. Explore our wide range of Bond bath and kitchen elements, from fittings to fixtures to hardware.

### CODES & STANDARDS

BLS490X, NSF/ANSI/CAN 61:Q < 1, NSF/ANSI/CAN 372, ASME A112.18.1/CSA B125.1, CEC, State of MA

### PRODUCT FEATURES

Lever Handle

Includes Universal Push-Touch Drain (UNLD23) which fits 1-1/2" through 1-3/4" drain hole openings

Stocked in Chrome, Nickel, Brass and Dark Nickel

Available in 1.2gpm (4.5L/min) flow rate

### CERTIFICATIONS

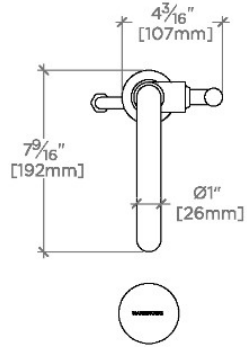


### PRODUCT (NOTES)

## Bond

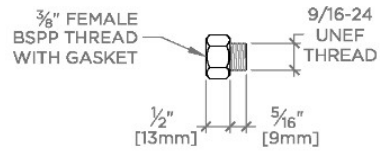
BLS490

Bond Solo Series One Hole Lavatory Faucet with Straight Lever Handle

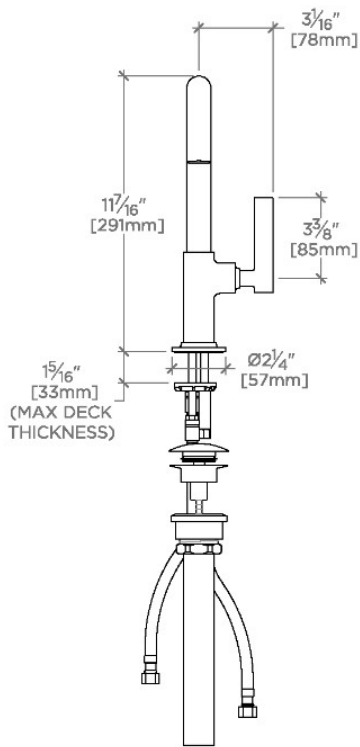


TOP VIEW SCALE: 1 1/2"=1'-0"

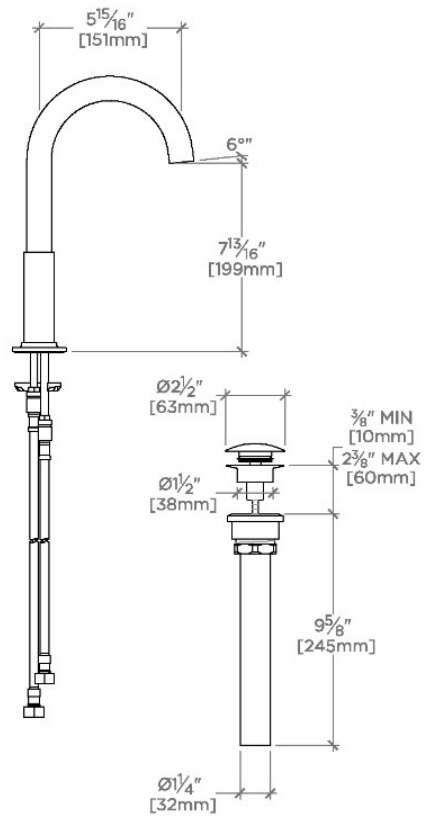
† 2 ADAPTERS SUPPLIED  
INTERNATIONAL USE ONLY



BSPP ADAPTER † NOT TO SCALE



FRONT VIEW SCALE: 1 1/2"=1'-0"



SIDE VIEW SCALE: 1 1/2"=1'-0"