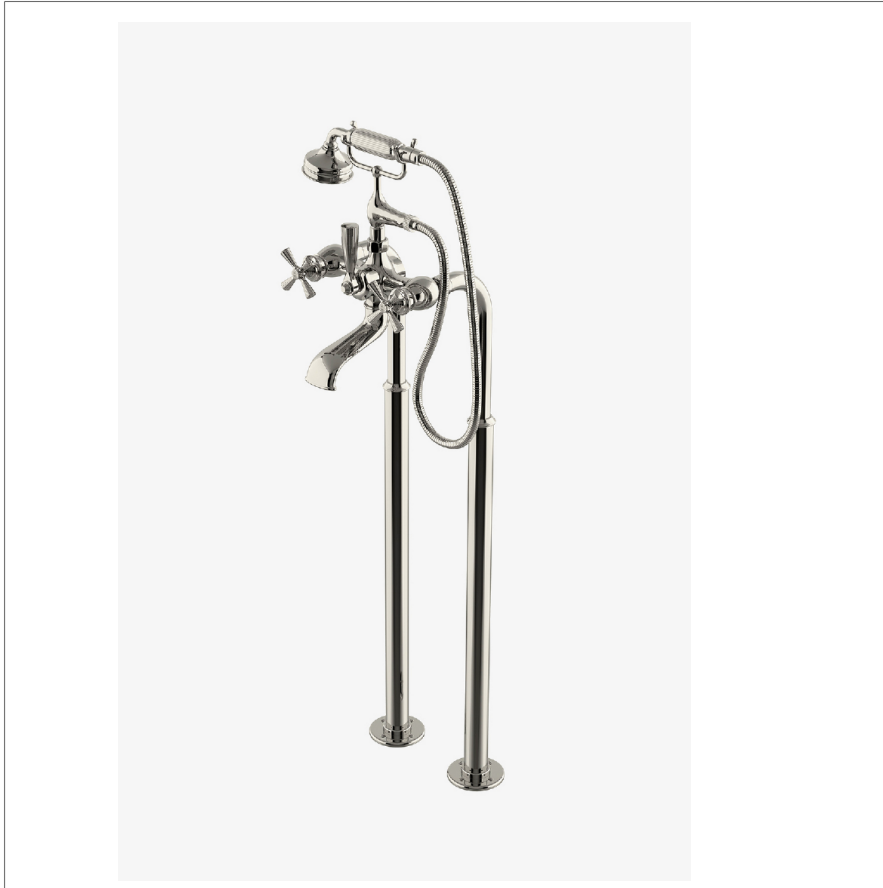


## Foro

FRXT60

Foro Floor Mounted Exposed Tub Filler with Metal Handshower and Cross Handles



SHOWN IN FORO FLOOR MOUNTED EXPOSED TUB FILLER WITH METAL HANDSHOWER AND CROSS HANDLES | FRXT60

### TECHNICAL DETAILS

ADA Compliance: No  
Adjustable Versus Fixed Spray: Fixed  
Depth/Width: 305 mm  
Fittings Hole Diameter: 32 mm  
Handle Spread Maximum: 184 mm  
Handle Spread Minimum: 184 mm  
Handle Turn Angle: Quarter Turn  
Handshower Spray Hose Length: 1.5 m  
Height: 1102 mm  
Inlet Connection Size: 3/4"  
Inlet Connection Type: Sweat  
Inlet Supply Spread Maximum: 184 mm  
Inlet Supply Spread Minimum: 184 mm  
Length: 279 mm  
Valve Material: Ceramic  
Water Pressure Maximum: 6.0 bar  
Water Pressure Minimum: 1.5 bar  
Water Pressure Recommended: 3.0 bar

### INSPIRATION

A mix of historical references, including finely etched vintage silver, come together in this twist on classical design - a wonderfully elegant formal statement.

### CODES & STANDARDS

CEC, State of MA

### PRODUCT FEATURES

Metal cross handles

Diverter handle allows bather to move water from spout to handshower. Handshower features 3" head with rubber nozzles

Features signature engraving detail

Stocked in Nickel and Unlacquered Brass

Unrestricted flow for tub spout. Handshower available in 1.75gpm (6.6L/min) flow rate

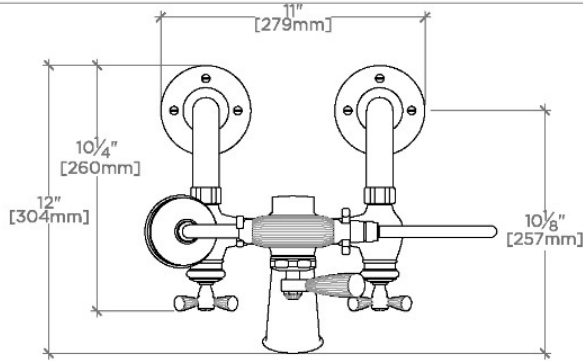
### CERTIFICATIONS

### PRODUCT (NOTES)

## Foro

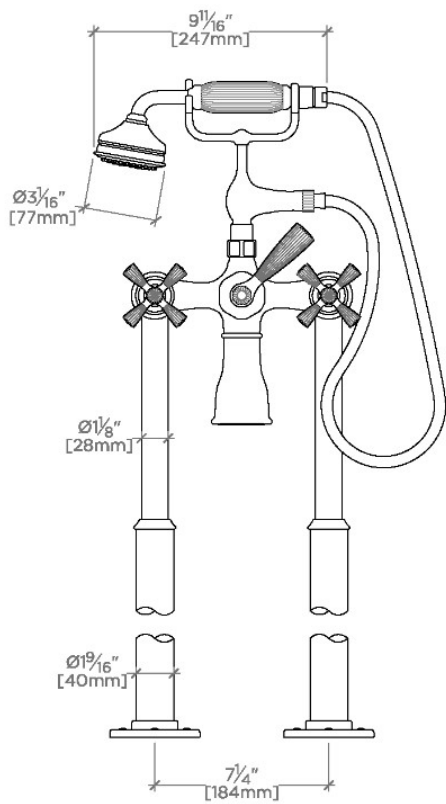
FRXT60

Foro Floor Mounted Exposed Tub Filler with Metal Handshower and Cross Handles



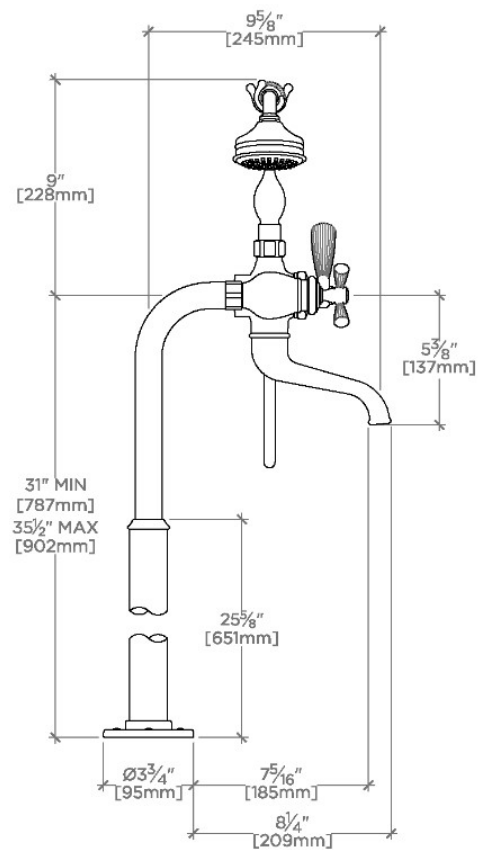
TOP VIEW

SCALE: 1/2"=1'-0"



FRONT VIEW

SCALE: 1/2"=1'-0"



SIDE VIEW

SCALE: 1/2"=1'-0"