

DASH

DSVC10

Dash Volume Control Valve Trim with Metal Lever Handle



SHOWN IN DASH VOLUME CONTROL VALVE TRIM WITH METAL LEVER HANDLE| DSVC10

TECHNICAL DETAILS

Control Valve Rough-in Depth Maximum: 105 mm
Control Valve Rough-in Depth Minimum: 73 mm
Escutcheon Primary Material: Brass
Fittings Hole Diameter: 35 mm
Handle Turn Angle: Quarter Turn
Depth / Width: 68 mm
Height: 119 mm
Installation Type: Wall Mounted
Integrated Diverter: N
Length: 60 mm
Number of Handles: One
Primary Material: Brass
Suggested Application: Bath

INSPIRATION

A blend of art and function, Dash pays homage to design elements of the 1930s with pared-down shapes, softened curves and minimal details.

PRODUCT FEATURES

Metal Lever Handle

Used to control water flow to a single waterway outlet such as a shower head, handshower, or tub spout

Stocked in Nickel, Chrome, Unlacquered Brass, and Matte Nickel finishes

Requires a 3/4" Volume Control Valve Rough: Counterclockwise On: US: GUV16 and UK GU16VC or Clockwise On:

US: GUV17 and UK: GU17VC sold separately

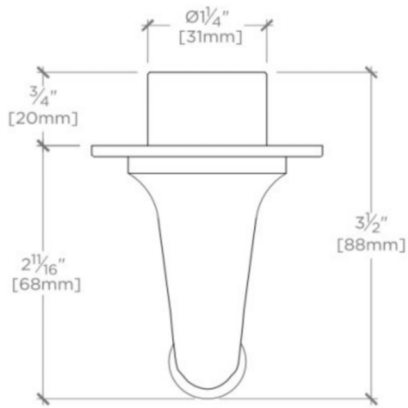
PRODUCT (NOTES)

Product Requires Universal 3/4" Counter-Clockwise Open Volume Control Valve [GUV16], or Universal 3/4" Clockwise Open Volume Control Valve [GUV17]. Valve Sold Separately.

DASH

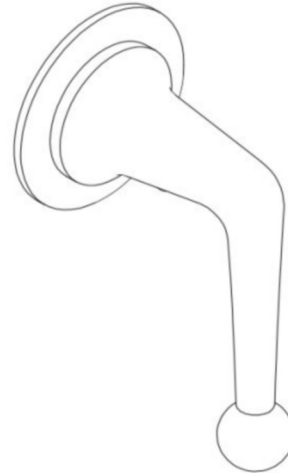
DSVC10

Dash Volume Control Valve Trim with Metal Lever Handle



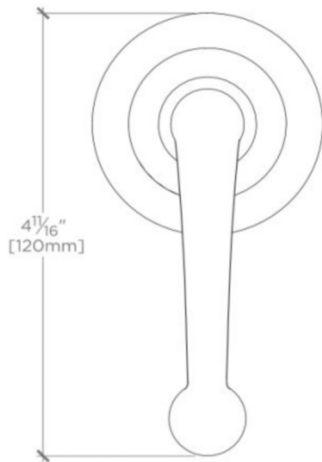
TOP VIEW

SCALE: 6"=1'-0"



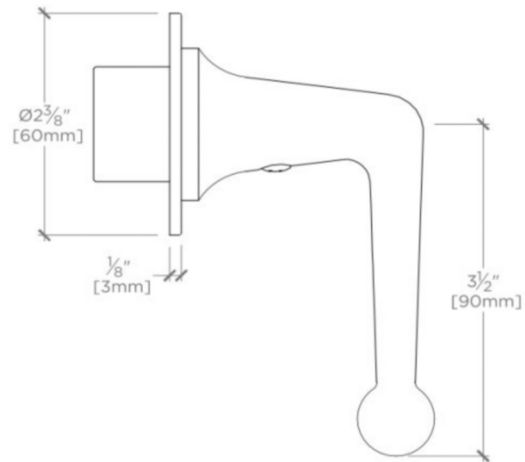
ISO VIEW

SCALE: 6"=1'-0"



FRONT VIEW

SCALE: 6"=1'-0"



SIDE VIEW

SCALE: 6"=1'-0"