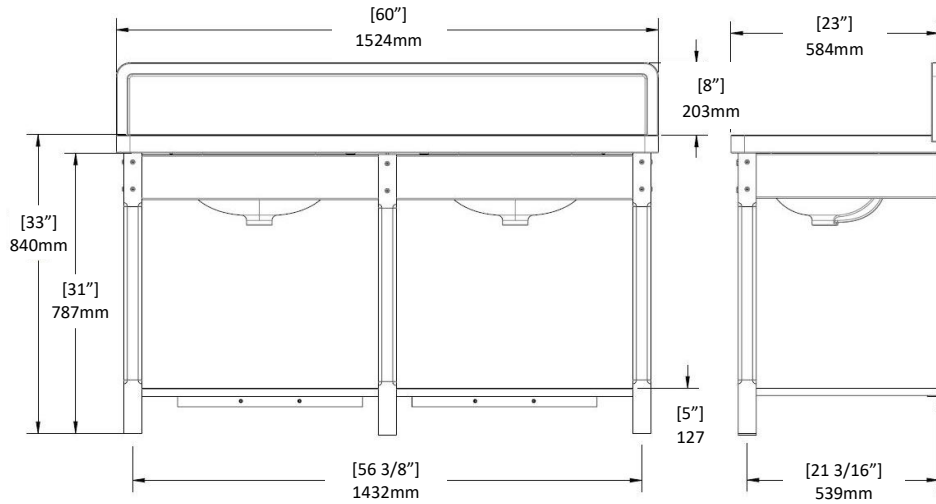


WATERWORKS INSTALLATION GUIDELINES

Brewster Cove Leg - Metal Apron three legs with MRLVCU Sink and 60" 5CM Carved Slab and Backsplash, and shelf



WARNING:

- This product is extremely heavy. It is STRONGLY recommended that 2 or more persons install this product.
- If no blocking has been installed STOP this installation until structural blocking is available.

IMPORTANT:

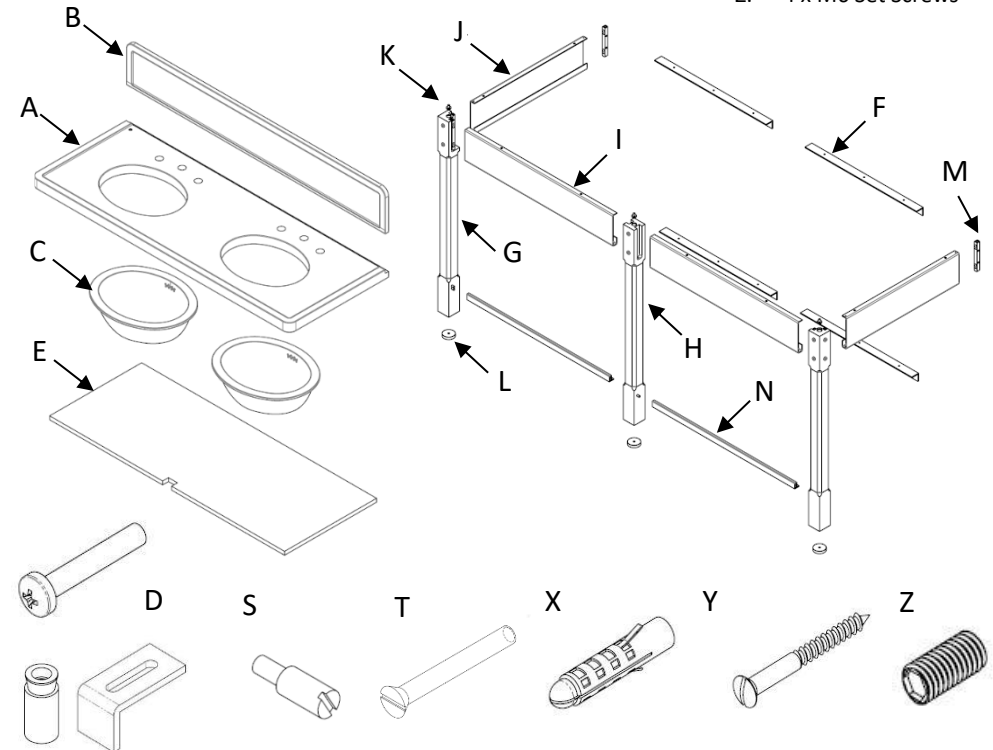
- To ensure this product is installed properly, you must read and follow these guidelines.
- The owner/user of this product must keep this information for future reference.
- This product must be installed by a professional licensed contractor.
- Be sure your installation conforms to federal, state, and local codes. In the State of Massachusetts, all installations must comply with the rules and regulations set forth within 248 CMR.
- Inspect this product to ensure you have all the parts required for proper installation.
- CAUTION: Use only a strap wrench or protected/smooth-jaw wrench on ANY finished surface.
- Ensure the floor is level and the weight of this product will be adequately supported.
- The use of certain plumber's putty may stain stone or tile surfaces.
- CAUTION: Take caution when applying the silicone and only use the necessary amount to ensure it won't cause staining.
- Use painter's tape to ensure a clean application.
- If further assistance is required, please contact Product Support at 1-800-927-2120 Monday through Friday, 8am – 6pm EST.

TECHNICAL DETAILS:

DETAIL	SPECIFICATION
ADJUSTABLE LEVELERS/FEET	No
LEG MATERIAL	BRASS
TUBE SIZE	2" [51mm]
STAB THICKNESS	2" [50mm]
WEIGHT (FRAME ONLY)	66 LBS [30KG]
WEIGHT (MARBLE TOP)	190 LBS [86KG]

Contents

- | | | |
|---------------------------------|----------------------|---------------------------|
| A. Slab Top | G. 2 x Leg Assembly | M. 2 x Apron Wall Fixings |
| B. Backsplash | H. Middle Leg | N. 2 x Bottom Shelf Bar |
| C. 2 x MRLVCU Sink | I. 2 x Front Apron | S. 6 x Blanking Plug |
| D. Sink Fixing Kit | J. 2 x Side Apron | T. 4 x M5 Screws |
| E. Slab Shelf | K. 3 x Top pin | X. 8 x Wall Anchors |
| F. 4 x 21" Wall Support Bracket | L. 3 x Floor Locator | Y. 8 x 2" Wall Screws |
| | | Z. 4 x M6 Set Screws |



WATERWORKS INSTALLATION GUIDELINES

Brewster Cove Leg - Metal Apron three legs with MRLVCU Sink and 60" 5CM Carved Slab and Backsplash, and shelf

Fig 1

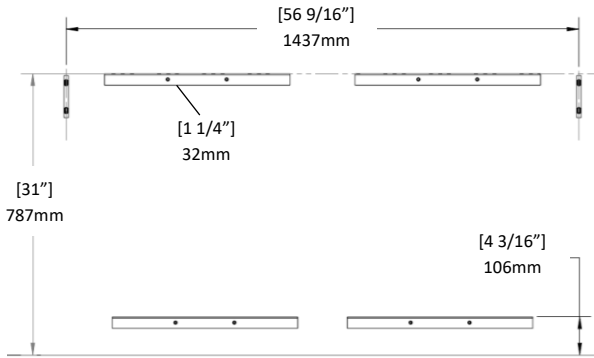
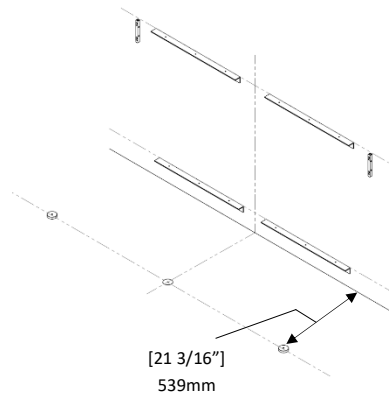


Fig 2



1. Before installation, ensure that structural blocking within the wall is in place and that all required holes for pipework have been prepared.
2. Locate the centerline of the washstand. Measure 31" up from the finished floor and position the Wall Support Brackets (F) at this height, ensuring it is mounted into structural blocking. Use the provided countersink screws to secure the Wall Support Bracket (F) to the wall. Confirm the bracket is level using a spirit level. Refer to **Fig. 1**.
3. [If bottom shelf is required] Install the bottom Wall Support Brackets (F) 4 3/16" from the floor.
4. On either side of the Wall Support Brackets (F), mark and position the Apron Wall Fixings (M) at the appropriate centers, and 1/4" lower than the Wall Support Brackets (F). Secure the Apron Wall Fixings (M) to the wall, ensuring that the Wall Support Brackets (F) is bearing the load.
5. Position the Floor Locators (L) at the specified leg center positions and fix them securely to the floor. Refer to **Fig. 2** for alignment details.

Fig 5

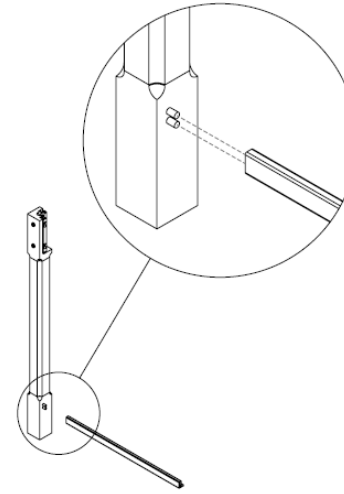
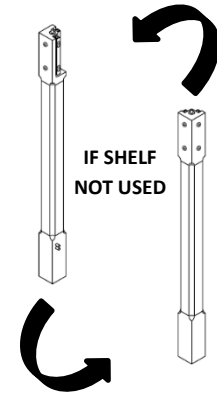


Fig 6



6. Align the Side Aprons (J) with the installed Apron Wall Fixings (M). Fasten them using the supplied Set Screws (Z). Avoid overtightening. Ensure the top set screw is installed slightly below the surface for a flush finish. See **Fig. 3** & **Fig. 4** for guidance.
7. [If bottom shelf is required] Push fit the Bottom Shelf Bars (N) on to the pins on the side of the legs and middle leg.
[If bottom shelf is not applicable] Remove preinstalled shelf pins and replace with the Blanking Plugs (S). Reverse the side legs so the shelf holes are hidden on the back.
8. [Two-person operation required] Carefully place both Leg Assemblies (G) onto the Floor Locators (L), ensuring they are fully seated. Align the legs with the Side Aprons (J) and secure them using the pre-installed set screws located at the top of each leg. See **Fig 7** & **8**.
9. Fit the Front Aprons (I) using the same method.
10. Using a spirit level, check that the assembled frame is straight and level.

Fig 3

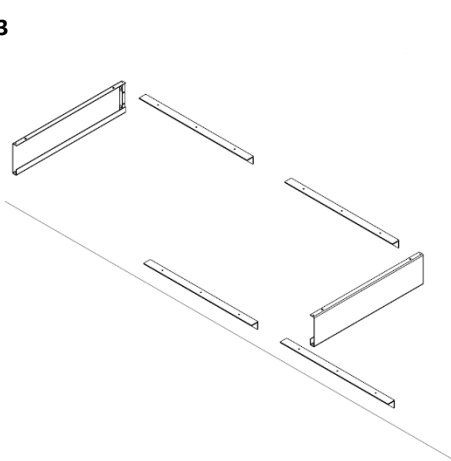


Fig 4

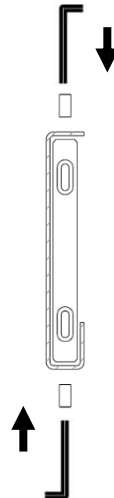


Fig 7

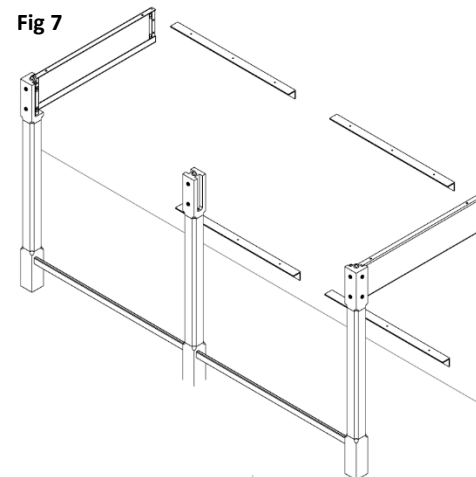
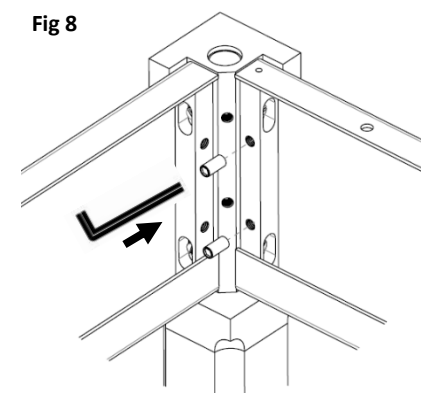
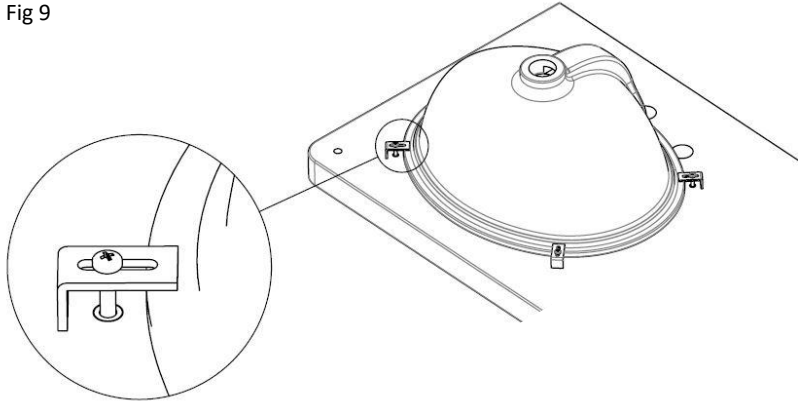


Fig 8



WATERWORKS INSTALLATION GUIDELINES

Fig 9



11. Position the Sinks (C) on the underside of the Slab Top (A), ensuring correct alignment. Apply a suitable adhesive (not supplied) to fix the Sink in place. While the adhesive cures, use the provided Sink Fixing Kit (D) to secure the Sink. Refer to **Fig 9**.
12. Position Top pins (K) into the top of the legs. See **Fig 10**.
13. Once the Sink is fully cured and secured to the slab, carefully position the Slab Top (A) and Backsplash (B) onto the frame. Ensure the alignment pins on the tops of the Leg Assemblies (F) fit into the pre-drilled holes on the underside of the slab. Confirm alignment with the Wall Support Bracket (F). See **Fig. 11**.
14. Ensure that all components (Slab Top, Backsplash, Leg Frame, and Basin) are properly aligned and fit together without obstruction. Confirm that the frame is square and level. Once verified, carefully remove the Slab Top (A) and Backsplash (B) to proceed with final installation.

Fig 10

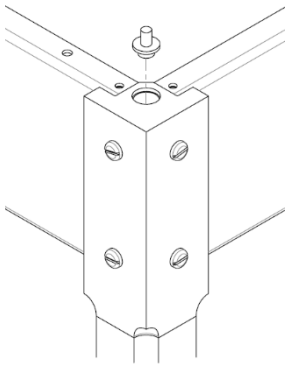


Fig 11

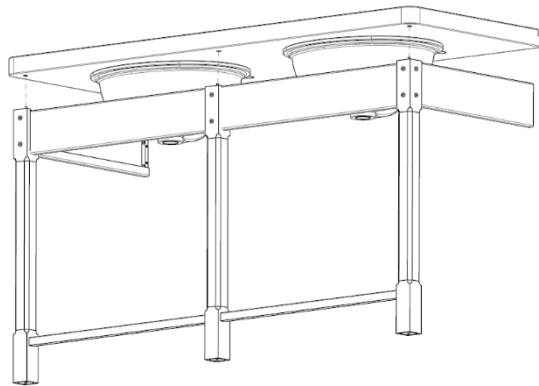
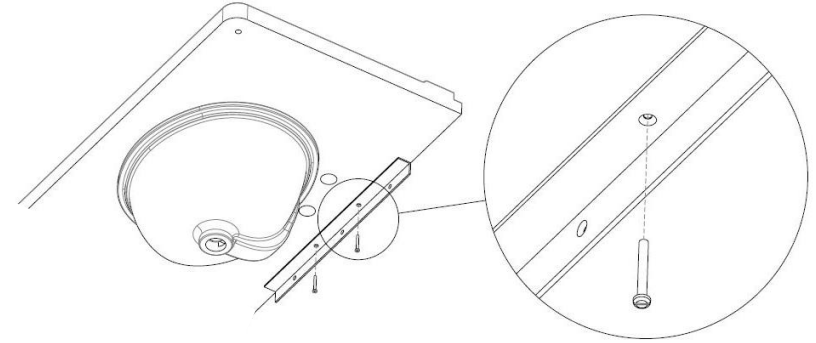


Fig 12



15. Thoroughly clean all contact surfaces to remove dust, debris, or oils that may affect adhesion.
16. Apply a continuous bead of adhesive silicone to the top surface of the Wall Support Bracket (F) and the tops of the Leg Assemblies (G), if applicable. Carefully reposition the Slab Top (A) onto the frame.
17. Use the M5 Screws (T) provided to secure the Slab Top (A) to the Wall Support Bracket (F). Refer to **Fig. 12**.
18. [If applicable] Apply adhesive silicone on to the bottom Wall Support Bracket (E) and Bottom Shelf Bar (L) then position the Slab Shelf (E).
19. Apply adhesive silicone to the back of the Backsplash (B). Position it carefully against the wall and Slab Top (A), pressing firmly into place. Hold or support it as needed until the adhesive has cured sufficiently. Refer to the adhesive manufacturer's instructions for cure time.
20. Apply a suitable silicone sealant to all exposed joints and edges where the Slab Top (A) and Backsplash (B) meet the wall and washstand. Wipe away any excess for a clean finish.
21. Once all adhesive and sealants have fully cured, proceed to connect the plumbing fixtures and faucet according to the manufacturer's instructions.

Fig 13

