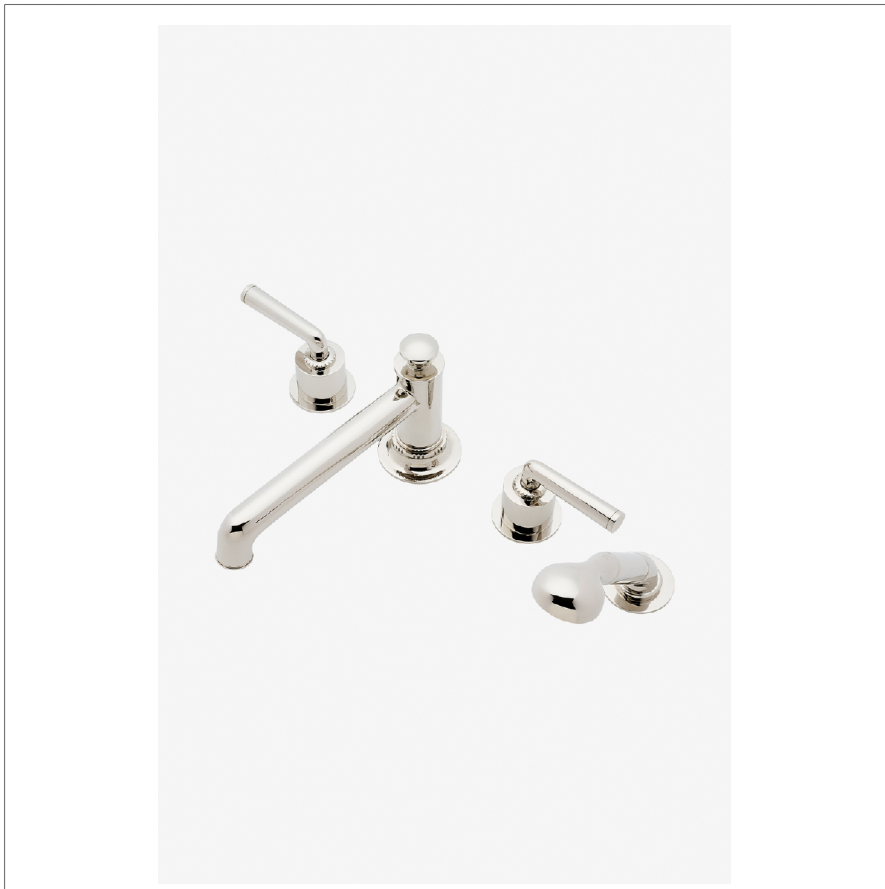


HENRY CHRONOS

CTF111

Henry Chronos Concealed Tub Filler with Handshower and Lever Handles



SHOWN IN HENRY CHRONOS CONCEALED TUB FILLER WITH HANDSHOWER AND LEVER HANDLES | CTF111

TECHNICAL DETAILS

ADA Compliance: No
 Deck Thickness Maximum: 2 1/8"
 Deck Thickness Minimum: 1/2"
 Fittings Hole Diameter: 1 3/8"
 Handle Spread Minimum: 8"
 Handle Turn Angle: Quarter Turn
 Handshower Spray Hose Length: 60"
 Inlet Connection Size: 3/4"
 Inlet Connection Type: Male NPT
 Integrated Diverter: Y
 Number Of Holes: Four Hole
 Primary Material: Brass
 Restricted Maximum Flow Rate: 1.75 gpm
 Spout Swivel: N
 Spray Included In Unit: Y
 Valve Material: Brass and Ceramic
 Water Pressure Maximum: 85.0 psi
 Water Pressure Minimum: 20.0 psi
 Water Pressure Recommended: 45.0 psi

INSPIRATION

Inspired by dive watches, Henry Chronos radiates design prowess and technical precision. Chronos retains the design integrity of our original, iconic Henry collection, while imbuing it with modern details and exquisite materials.

CODES & STANDARDS

CTF111-F.RX, ASME A112.18.1/CSA B125.1, CEC(1.5GPM & 1.75GPM Only), WaterSense(1.5GPM & 1.75GPM Only), DOE, State of MA

PRODUCT FEATURES

Features All Metal Lever Handles

Solid Brass Construction

Diverter Knob Allows Bather to Move Water From Spout to Handshower

Stocked in Brass, Chrome and Nickel

Unrestricted Flow for Tub Spout. Handshower Available in 1.75gpm (4.5L/min) Flow Rate

CERTIFICATIONS

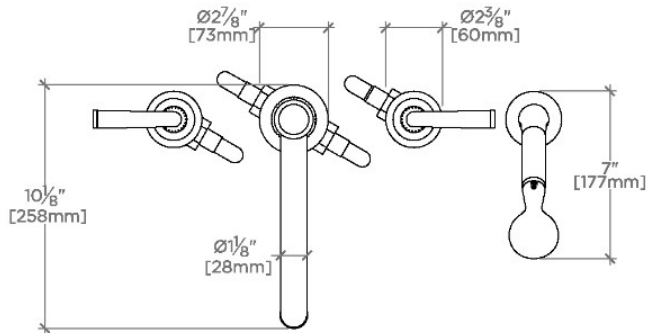


PRODUCT (NOTES)

HENRY CHRONOS

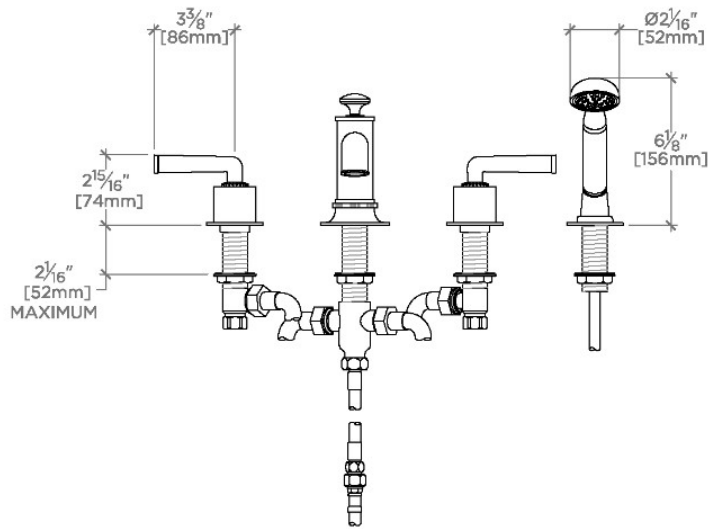
CTF111

Henry Chronos Concealed Tub Filler with Handshower and Lever Handles



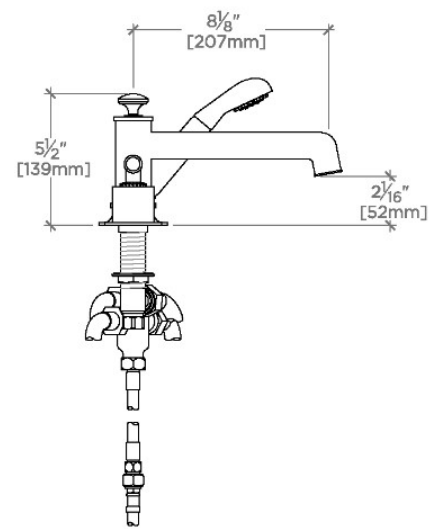
TOP VIEW

SCALE: 1/2"=1'-0"



FRONT VIEW

SCALE: 1/2"=1'-0"



SIDE VIEW

SCALE: 1/2"=1'-0"