

JULIA

JUS122

Julia 12" Rain Showerhead with 18" Ceiling Mounted Shower Arm



SHOWN IN JULIA 12" RAIN SHOWERHEAD WITH 18" CEILING MOUNTED SHOWER ARM | JUS122

TECHNICAL DETAILS

Adjustable Versus Fixed Spray: Fixed
 Fittings Hole Diameter: 1 1/4"
 Flow Restriction Options: 1.5, 1.75, 2.0
 Inlet Connection Size: 1/2"
 Inlet Connection Type: Male NPT
 Pivot: Y
 Primary Material: Brass
 Restricted Maximum Flow Rate: 1.75 gpm
 Water Pressure Maximum: 85.0 psi
 Water Pressure Minimum: 20.0 psi
 Water Pressure Recommended: 45.0 psi

INSPIRATION

An interpretation of 1920s French country, Julia speaks to decoration and intricate design displayed through beautifully composed turnings. These details embody the robust, signature high profile spout enabling Julia to transition fluidly from informal to formal environments.

CODES & STANDARDS

JUS122X, ASME A112.18.1/CSA B125.1, CEC(1.5GPM & 1.75GPM Only), WaterSense(1.5GPM, 1.75GPM & 2.0GPM Only), DOE, State of MA

PRODUCT FEATURES

- Made of Brass
- Features a swivel 12" rain showerhead with easy clean rubber nozzles
- Includes an 18" ceiling mounted shower arm
- Stocked in Brass, Chrome, Nickel and Matte Nickel
- Rain showerhead available in 1.75gpm (6.6L/min) flow rate

CERTIFICATIONS



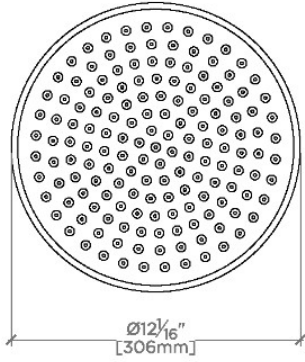
PRODUCT (NOTES)

WATERWORKS

JULIA

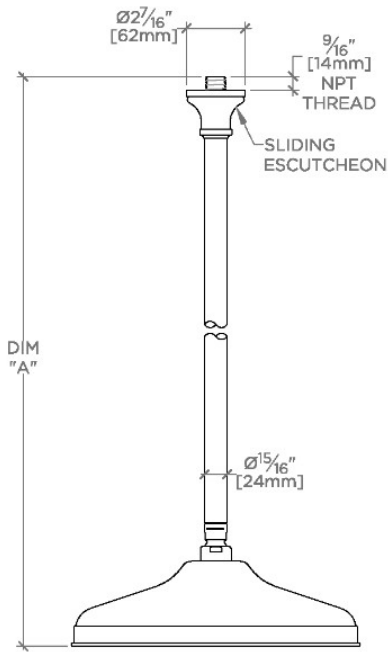
JUS122

Julia 12" Rain Showerhead with 18" Ceiling Mounted Shower Arm

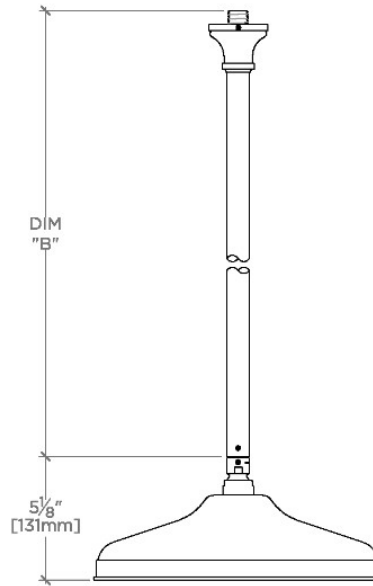


CEILING VIEW SCALE: 1/2"=1'-0"

| STYLE NO. | DIM "A" | DIM "B" |
|-----------|---|--|
| ETS120 | 11 ³ / ₄ " [298mm] | 6 ⁹ / ₁₆ " [167mm] |
| FRS120 | | |
| JUS120 | | |
| ETS121 | 17 ³ / ₄ " [450mm] | 12 ⁹ / ₁₆ " [319mm] |
| FRS121 | | |
| JUS121 | | |
| ETS122 | 23 ³ / ₄ " [603mm] | 18 ⁹ / ₁₆ " [472mm] |
| FRS122 | | |
| JUS122 | | |



FRONT VIEW SCALE: 1/2"=1'-0"



SIDE VIEW SCALE: 1/2"=1'-0"