

UNIVERSAL

UNS134

Universal 2 3/4" Showerhead with Adjustable Spray with 6" Wall Mounted 45 Degree Shower Arm and Low Profile Classic Flange



SHOWN IN UNIVERSAL 2 3/4" SHOWERHEAD WITH ADJUSTABLE SPRAY WITH 6" WALL MOUNTED 45 DEGREE SHOWER ARM AND LOW PROFILE CLASSIC FLANGE | UNS134

TECHNICAL DETAILS

Adjustable Versus Fixed Spray: Adjustable Spray
 Fittings Hole Diameter: 1 1/4"
 Flow Restriction Options: 1.5, 1.75, 2.0
 Inlet Connection Size: 1/2"
 Inlet Connection Type: Male NPT
 Pivot: Y
 Primary Material: Brass
 Restricted Maximum Flow Rate: 1.75 gpm
 Water Pressure Maximum: 85.0 psi
 Water Pressure Minimum: 20.0 psi
 Water Pressure Recommended: 45.0 psi

INSPIRATION

Our Universal collection features timeless designs complementing any of our Waterworks. With a wide range of product, from fittings to accessories, Universal adds exquisite proportion and balance to any environment.

CODES & STANDARDS

UNS134X, ASME A112.18.1/CSA B125.1, CEC(1.5GPM & 1.75GPM Only), WaterSense(1.5GPM, 1.75GPM & 2.0GPM Only), DOE, State of MA

PRODUCT FEATURES

- Made of Brass
- Features a swivel 2 3/4" showerhead with two adjustable spray patterns
- Includes a 6" wall mounted 45 degree shower arm
- Stocked in Brass, Chrome and Nickel
- Showerhead available in 1.75gpm (6.6L/min) flow rate

CERTIFICATIONS

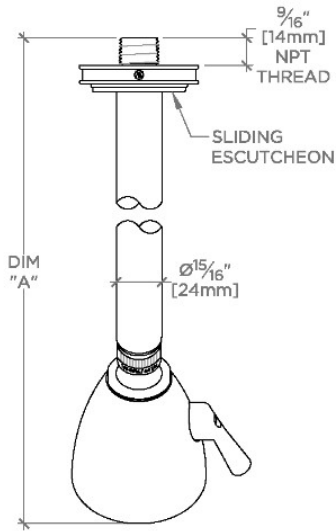


PRODUCT (NOTES)

UNIVERSAL

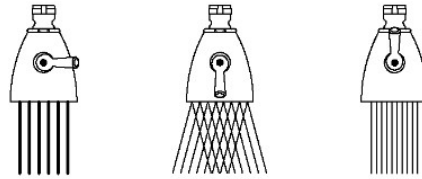
UNS134

Universal 2 3/4" Showerhead with Adjustable Spray with 6" Wall Mounted 45 Degree Shower Arm and Low Profile Classic Flange

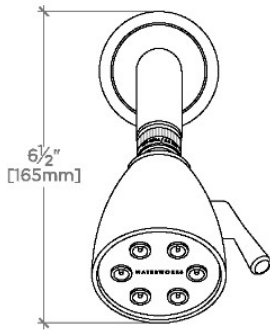


TOP VIEW SCALE: 3"=1'-0"

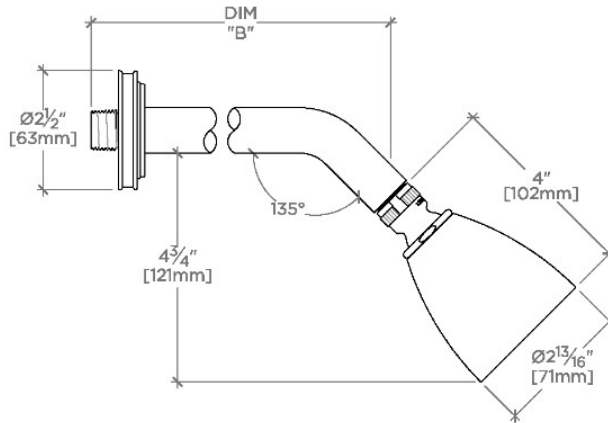
STYLE NO.	DIM "A"	DIM "B"
UNS134	10 ¹ / ₁₆ " [256mm]	6 ¹ / ₄ " [158mm]
UNS135	12 ¹ / ₁₆ " [307mm]	8 ¹ / ₄ " [209mm]



SPRAY PATTERNS



FRONT VIEW SCALE: 3"=1'-0"



SIDE VIEW SCALE: 3"=1'-0"