

LUDLOW

LDXT40

Ludlow Deck Mounted Exposed Tub Filler with Handshower and Cross Handles



SHOWN IN LUDLOW DECK MOUNTED EXPOSED TUB FILLER WITH HANDSHOWER AND CROSS HANDLES | LDXT40

TECHNICAL DETAILS

ADA Compliance: No
 Adjustable Versus Fixed Spray: Fixed Spray
 Deck Thickness Maximum: 2"
 Deck Thickness Minimum: 3/8"
 Depth/Width: 10 3/16"
 Diameter Of Head: 2 1/16"
 Diameter Of Legs Tubes: 1 7/16"
 Escutcheon Primary Material: Brass
 Fittings Hole Diameter: 1 1/4"
 Flow Restriction Options: 1.5, 1.75, 2.0
 Handle Spread Maximum: 8"
 Handle Spread Minimum: 8"
 Handle Turn Angle: Quarter Turn
 Handshower Spray Hose Length: 68"
 Height: 12 11/16"
 Inlet Connection Size: 3/4"
 Inlet Connection Type: Male NPT
 Inlet Supply Spread Maximum: 8"
 Inlet Supply Spread Minimum: 8"
 Installation Type: Deck Mounted
 Integrated Diverter: N
 Integrated Spray: N
 Length: 14 1/2"
 Number Of Handles: Two
 Number Of Holes: Two Hole
 Pivot: N
 Primary Material: Brass
 Spout Swivel: N
 Spray Included In Unit: N
 Suggested Application: Bath
 Valve Material: Ceramic
 Water Pressure Maximum: 85.0 psi
 Water Pressure Minimum: 20.0 psi
 Water Pressure Recommended: 45.0 psi

INSPIRATION

Our fresh take on American industrial design comes in three styles, each of them clean-lined, and distinct to Waterworks.

CODES & STANDARDS

LDXT40X, ASME A112.18.1/CSA B125.1, Waterworks Handshowers use check valves compliant to ASME A112.18.3 for backflow protection, CEC, DOE, State of MA

PRODUCT FEATURES

Features All Metal Cross Handles

Diverter handle allows bather to move water from spout to handshower

The Handshower offers a fixed spray pattern

Stocked in Chrome, Nickel and Brass

Unrestricted flow for tub spout. Handshower available in 1.75gpm (6.6L/min) flow rate

CERTIFICATIONS



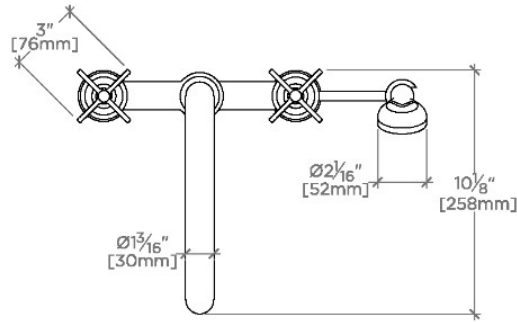
PRODUCT (NOTES)

WATERWORKS

LUDLOW

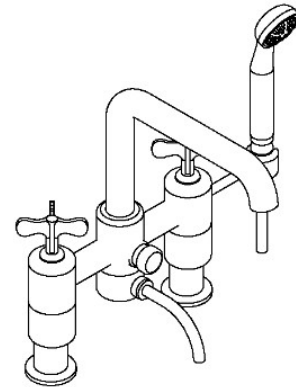
LDXT40

Ludlow Deck Mounted Exposed Tub Filler with Handshower and Cross Handles



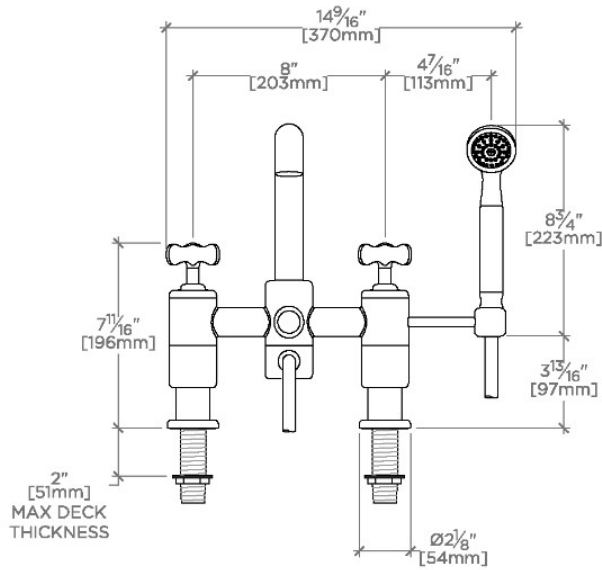
TOP VIEW

SCALE: 1/2"=1'-0"



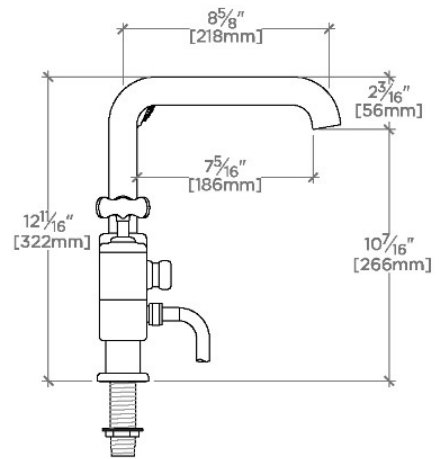
ISO VIEW

SCALE: 1/2"=1'-0"



FRONT VIEW

SCALE: 1/2"=1'-0"



SIDE VIEW

SCALE: 1/2"=1'-0"