

BOND

BLS47A

Bond Tandem Series One Hole Lavatory Faucet with Guilloche Lines
Lever Handle



TECHNICAL DETAILS

ADA Compliance: Yes
Deck Thickness Maximum: 1 11/16"
Deck Thickness Minimum: 1/4"
Drain Depth Maximum: 2 5/8"
Drain Hole Diameter: 1 3/4"
Drain Style: Push Touch
Fittings Hole Diameter: 1 3/8"
Handle Turn Angle: Quarter Turn
Drain Depth Minimum: 3/8"
Inlet Connection Size: 3/8"
Inlet Connection Type: Compression Connection Hoses
Number of Holes: One Hole
Primary Material: Brass
Restricted Maximum Flow Rate: 1.2 gpm
Spout Swivel: Y
Valve Material: Ceramic
Water Pressure Maximum: 85.0 psi
Water Pressure Minimum: 20.0 psi
Water Pressure Recommended: 45.0 psi

INSPIRATION

The Bond Collection: Modern bath designs infused with rare soul and artistry. Explore a range of statement-making elements: fittings, washstands, mirrors and more.

PRODUCT FEATURES

Lever Handle

Includes European size push touch drain

Features Linear Guilloche Etching Handle

Stocked in Nickel and Brass

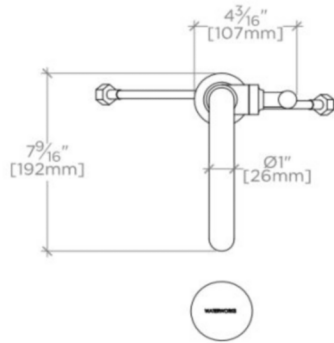
Available in 1.2gpm (4.5L/min) flow rate

WATERWORKS

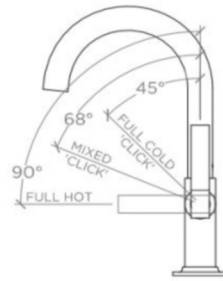
BOND

BLS47A

Bond Tandem Series One Hole Lavatory Faucet with Guilloche Lines Lever Handle

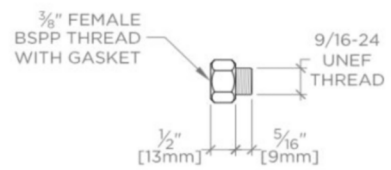


TOP VIEW SCALE: 1/2"=1'-0"

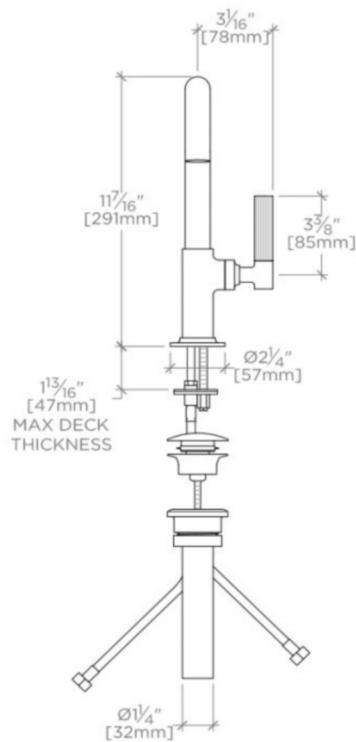


HANDLE OPERATION

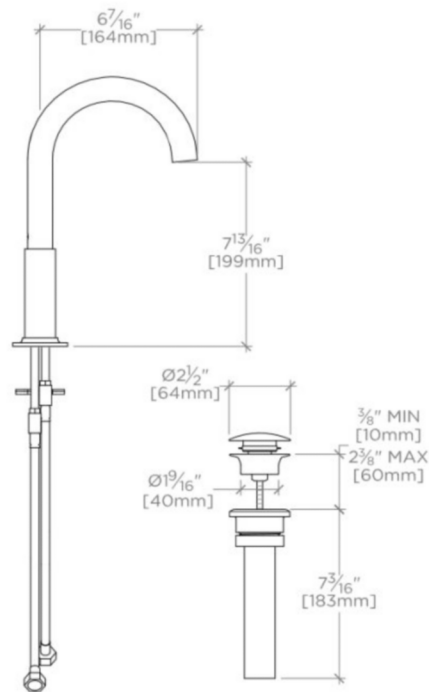
† 2 ADAPTERS SUPPLIED
INTERNATIONAL USE ONLY



BSPP ADAPTER † NOT TO SCALE



FRONT VIEW SCALE: 1/2"=1'-0"



SIDE VIEW SCALE: 1/2"=1'-0"