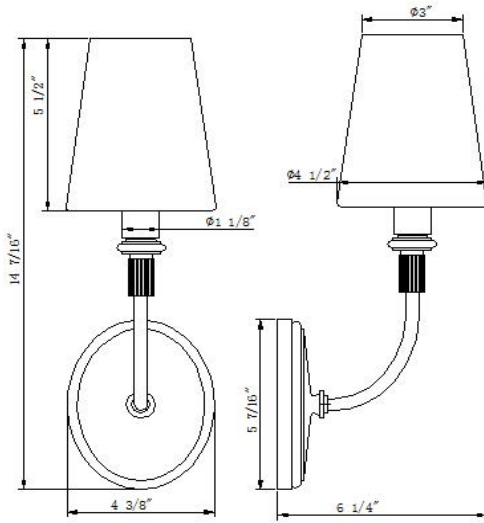


**FRLT01 (FR01LT)**



Notes:

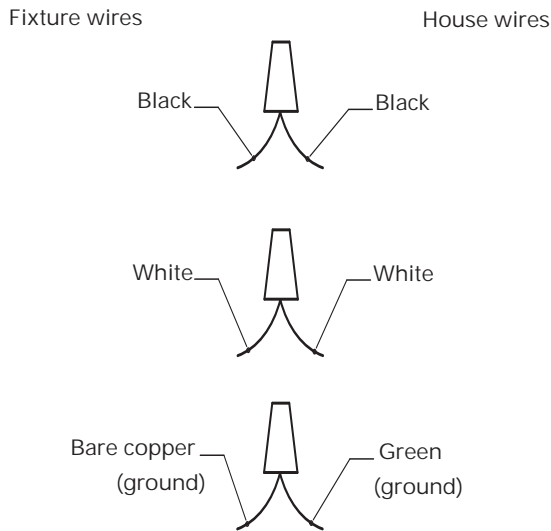
- Bulbs: B10, E12(E14) base , 40 watt max.
- Sconce must be mounted vertically.
- Outlet box: 3<sup>3</sup>/<sub>5</sub>" x 3<sup>3</sup>/<sub>5</sub>" switch type.
- All items in (BRACKETS) refer to CE styles.

**INSTALLATION**

➤ **IMPORTANT:** Check to ensure the power supply has been turned off prior to start installation.

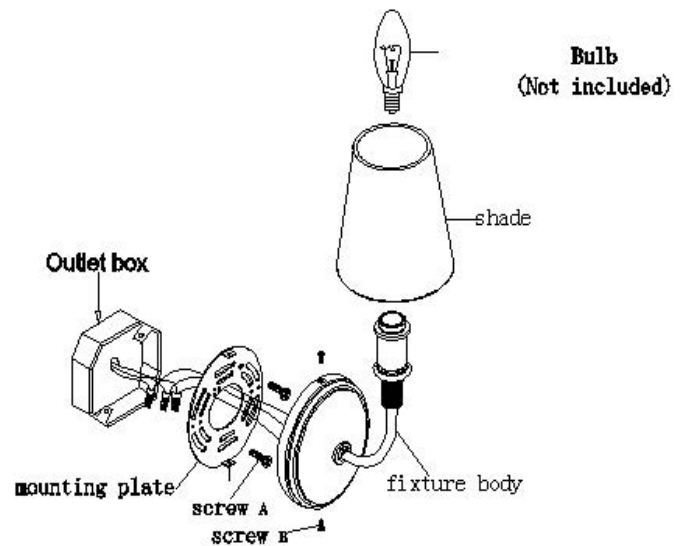
1. Install an outlet box (3<sup>3</sup>/<sub>5</sub>" x 3<sup>3</sup>/<sub>5</sub>" switch type ) vertically for vertical mounting making sure to use supply connection wire that meets local codes.
2. Inspect this product to assure you have all parts required for proper installation.
3. Connect the wires from the fixture to the wires in the outlet-box as shown in Figure 1.
4. Mount the mounting plate to the outlet box by using 2pcs screws A(supplied).
5. Mount the fixture body to the mounting plate using 2pcs screws B(supplied).
6. Screw the shade to the fixture body.
7. Install 40 watt max.B10 standard bulbs.
8. Installation is completed, turn on power.

**Figure 1**



**Figure 2**

Vertical Mounting,  
Vertical Mount shown



These guidelines have been prepared for the professional contractor to aid in the installation of:  
**Foro Single Arm Sconce FRLT01(FR01LT)**

All dimensions are based on original specifications and are subject to change and variation.  
Please consult your Design Associate for current specifications.