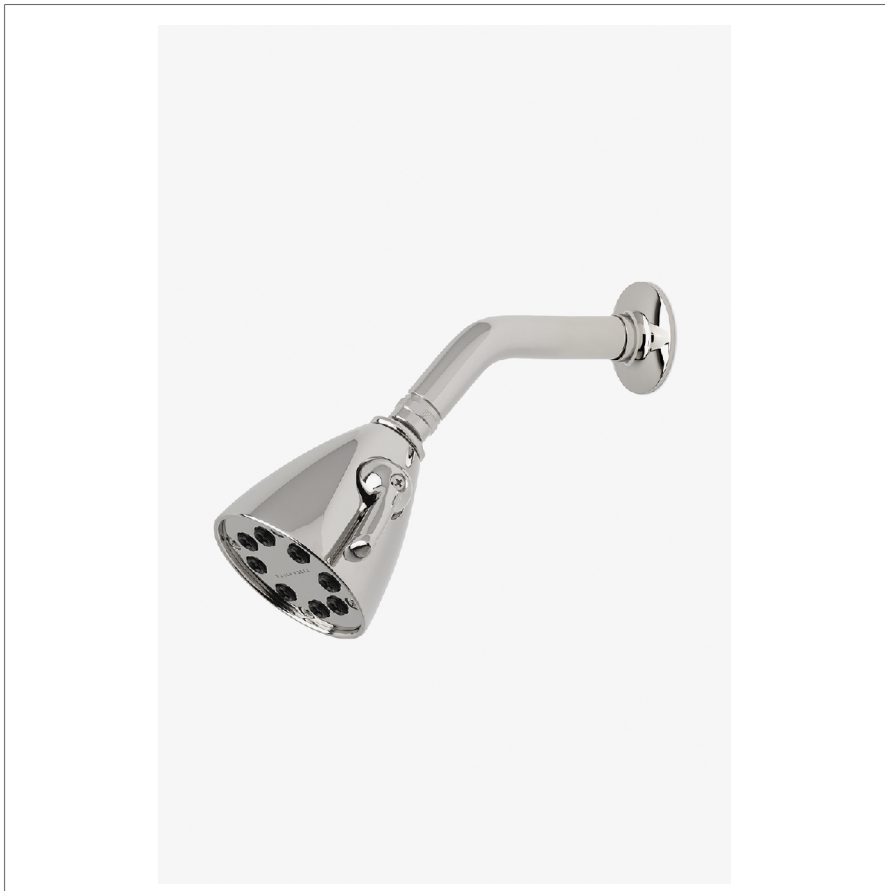


HIGHGATE

HGS344

Highgate 3 1/2" Showerhead with Adjustable Spray with 6" Wall Mounted 45 Degree Shower Arm



SHOWN IN HIGHGATE 3 1/2" SHOWERHEAD WITH ADJUSTABLE SPRAY WITH 6" WALL MOUNTED 45 DEGREE SHOWER ARM | HGS344

TECHNICAL DETAILS

Adjustable Versus Fixed Spray: Adjustable Spray
 Fittings Hole Diameter: 1 1/4"
 Flow Restriction Options: 1.5, 1.75, 2.0
 Inlet Connection Size: 1/2"
 Inlet Connection Type: Male NPT
 Pivot: Y
 Primary Material: Brass
 Restricted Maximum Flow Rate: 1.75 gpm
 Water Pressure Maximum: 85.0 psi
 Water Pressure Minimum: 20.0 psi
 Water Pressure Recommended: 45.0 psi

INSPIRATION

Our take on old English style: simple, functional shapes, detailed with white porcelain indices and hexagonal accents for a timeless feel.

CODES & STANDARDS

HGS344X, ASME A112.18.1/CSA B125.1, CEC(1.5GPM & 1.75GPM Only), WaterSense(1.5GPM, 1.75GPM & 2.0GPM Only), DOE, State of MA

PRODUCT FEATURES

- Made of Brass
- Features a swivel 3 1/2" showerhead with two adjustable spray patterns
- Includes a 6" wall mounted 45 degree shower arm
- Stocked in Brass, Chrome, Nickel and Matte Nickel
- Showerhead available in 1.75gpm (6.6L/min) flow rate

CERTIFICATIONS

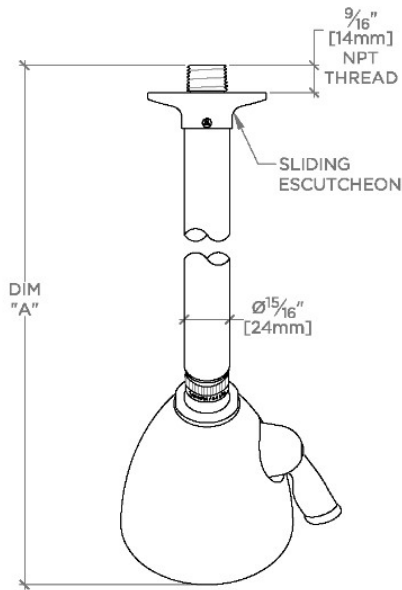


PRODUCT (NOTES)

HIGHGATE

HGS344

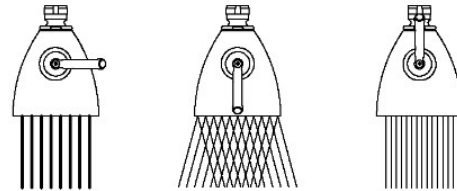
Highgate 3 1/2" Showerhead with Adjustable Spray with 6" Wall Mounted 45 Degree Shower Arm



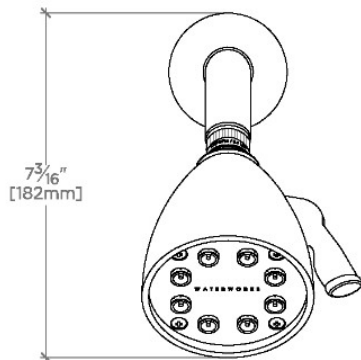
TOP VIEW

SCALE: 3"=1'-0"

STYLE NO.	DIM "A"	DIM "B"
DSS344	10 7/8" [276mm]	6 1/4" [158mm]
HGS344		
RRS344		
DSS345	12 7/8" [326mm]	8 1/4" [209mm]
HGS345		
RRS345		

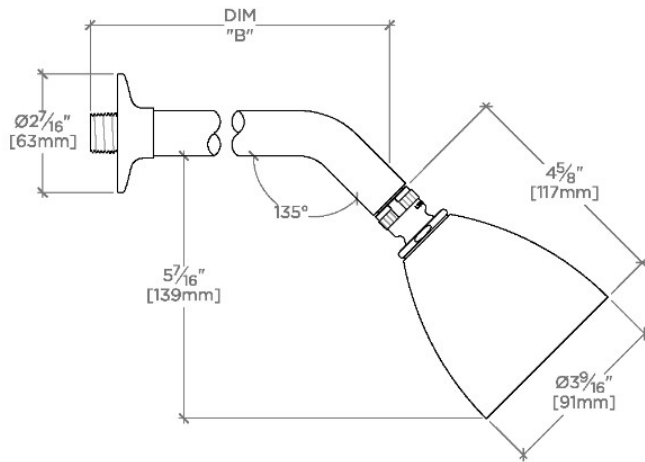


SPRAY PATTERNS



FRONT VIEW

SCALE: 3"=1'-0"



SIDE VIEW

SCALE: 3"=1'-0"