

BRIDLE

BLVN04

Bridle Double Vanity with Hardware 67" x 24 1/2" x 34 1/2" with Slab, 4" x 3/4" Backsplash, and Saxby Sinks



FILEDESCRIPTION

TECHNICAL DETAILS

ADA Compliance: No
Adjustable Levelers / Feet: N
Fittings Hole Depth: 1 1/4"
Fittings Hole Diameter: 1 3/8"
Primary Material: Wood
Rough-in Supply Height Recommended: 21"
Rough-in Waste Height Recommended: 19"
Sink Visibility: N

INSPIRATION

With its distinctive v-groove paneling and metal strapping, Bridle projects a French neoclassical sensibility, with details from vintage luggage and honest plank doors.

PRODUCT FEATURES

Vanity with three drawers and Integrated Hardware

Stocked in Clear Oak, Antique Walnut Finish or Factory Finished in Chalk, Driftwood, Midnight, Steel, Franklin Gray, or Whisper

Specify Brass or Nickel Hardware when ordering

Includes Saxby sink and choice of stocked stone tops in Carrara or Arabescato.

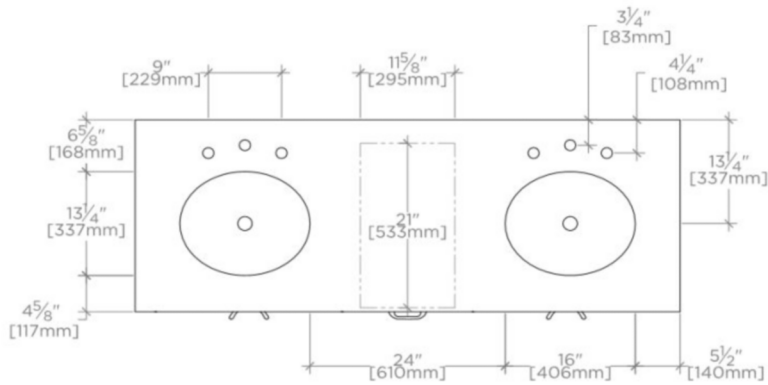
Install with or without backsplash (included)

WATERWORKS

BRIDLE

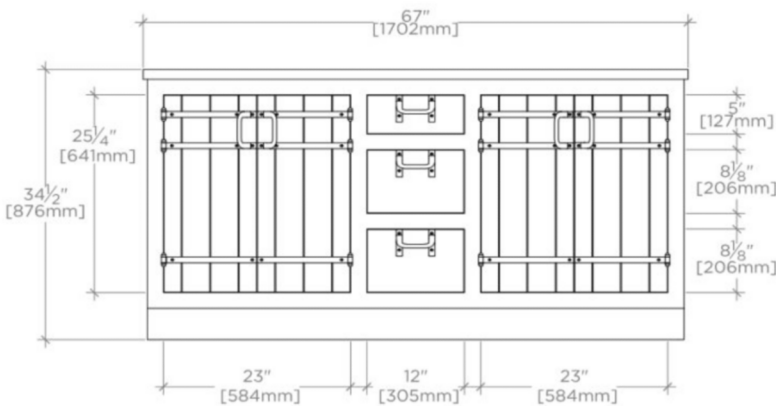
BLVN04

Bridle Double Vanity with Hardware 67" x 24 1/2" x 34 1/2" with Slab, 4" x 3/4" Backsplash, and Saxby Sinks



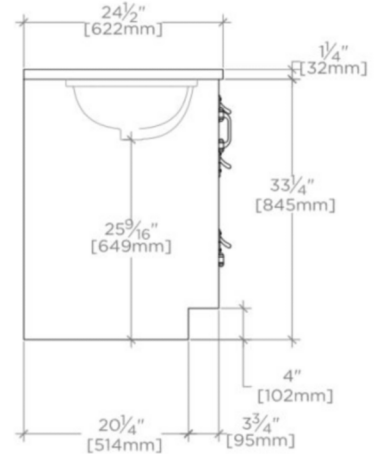
TOP VIEW

SCALE: 1/2"=1'-0"



FRONT VIEW

SCALE: 1/2"=1'-0"



SIDE VIEW

SCALE: 1/2"=1'-0"