

Finot

NLS420

One Hole Lavatory Faucet



SHOWN IN ONE HOLE LAVATORY FAUCET | NLS420

TECHNICAL DETAILS

Water Pressure Maximum: 6.0 bar
Water Pressure Minimum: 1.5 bar
Water Pressure Recommended: 3.0 bar

INSPIRATION

Finot seamlessly blends meticulous details with contemporary sensibility. A true integration of design and engineering expertise, this collection is comprised of parts that are decisively cast and forged to achieve painstaking precision and refinement.

CODES & STANDARDS

PRODUCT FEATURES

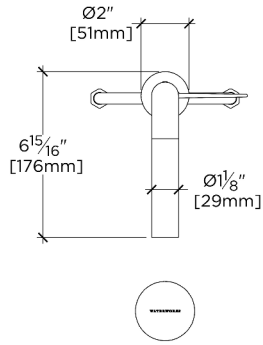
CERTIFICATIONS

PRODUCT (NOTES)

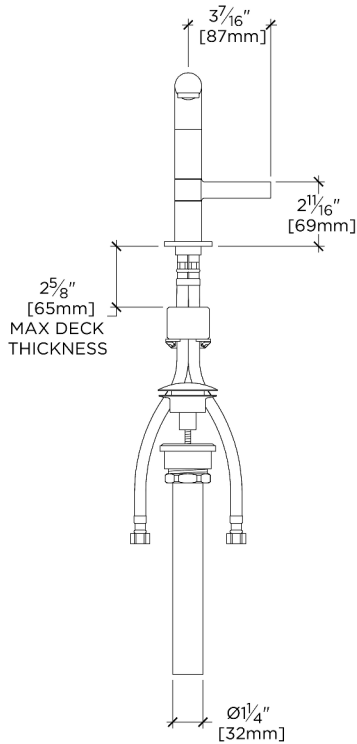
Finot

NLS420

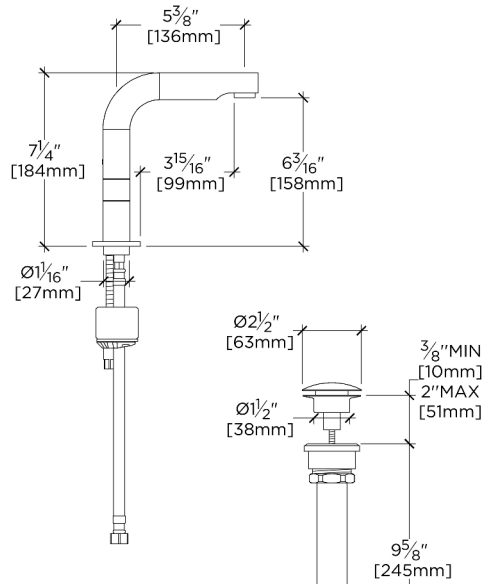
One Hole Lavatory Faucet



TOP VIEW SCALE: 1/2"=1'-0"



FRONT VIEW SCALE: 1/2"=1'-0"



SIDE VIEW SCALE: 1/2"=1'-0"