

AERO

AEXT60

Aero Floor Mounted Exposed Tub Filler with Metal Handshower and Cross Handles



SHOWN IN AERO FLOOR MOUNTED EXPOSED TUB FILLER WITH METAL HANDSHOWER AND CROSS HANDLES | AEXT60

TECHNICAL DETAILS

ADA Compliance: No
 Adjustable Versus Fixed Spray: Adjustable Spray
 Depth/Width: 12 1/16"
 Handle Spread Maximum: 6"
 Handle Spread Minimum: 6"
 Handle Turn Angle: Quarter Turn
 Handshower Spray Hose Length: 59"
 Height: 41 5/8"
 Inlet Connection Size: 3/4"
 Inlet Connection Type: Copper Sweat
 Length: 11 7/16"
 Spray Included In Unit: Y
 Valve Material: Ceramic
 Water Pressure Maximum: 80.0 psi
 Water Pressure Minimum: 25.0 psi
 Water Pressure Recommended: 45.0 psi

INSPIRATION

Inspired by the stepped detail of 19th century telescopes, Aero is a combination of historical reference with a contemporary temperament. The result is original and modern, bringing a look of updated elegance.

CODES & STANDARDS

CEC, State of MA

PRODUCT FEATURES

Metal cross handles

Diverter button allows bather to move water from spout to handshower with a 2" head and adjustable spray

Features signature stepped and gadrooned details on escutcheons and edge of spout

Stocked in Chrome and Nickel

Unrestricted flow for tub spout. Stocked in 2.5gpm (9.5L/min) flow rate for handshower. Alternate flow regulation of 1.75gpm (6.6/min) also available as special order

CERTIFICATIONS

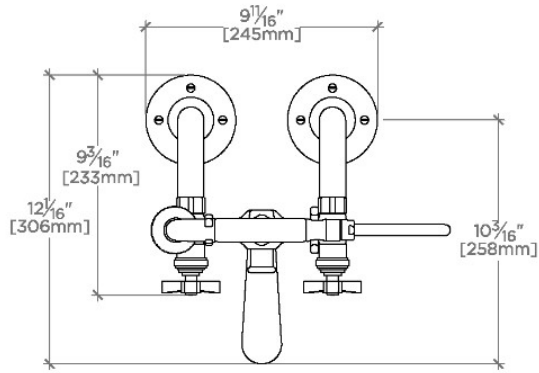
PRODUCT (NOTES)

WATERWORKS

AERO

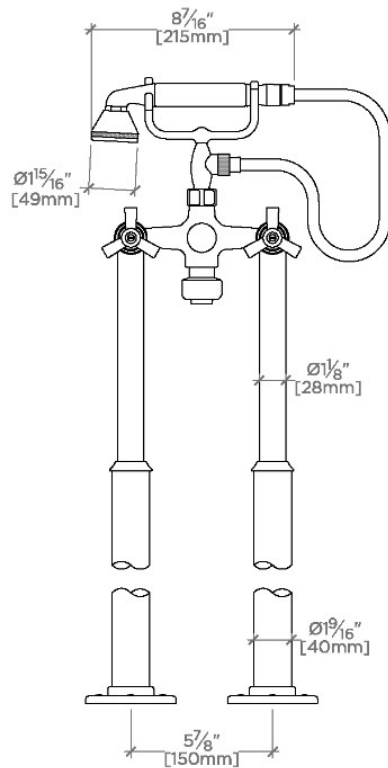
AEXT60

Aero Floor Mounted Exposed Tub Filler with Metal Handshower and Cross Handles



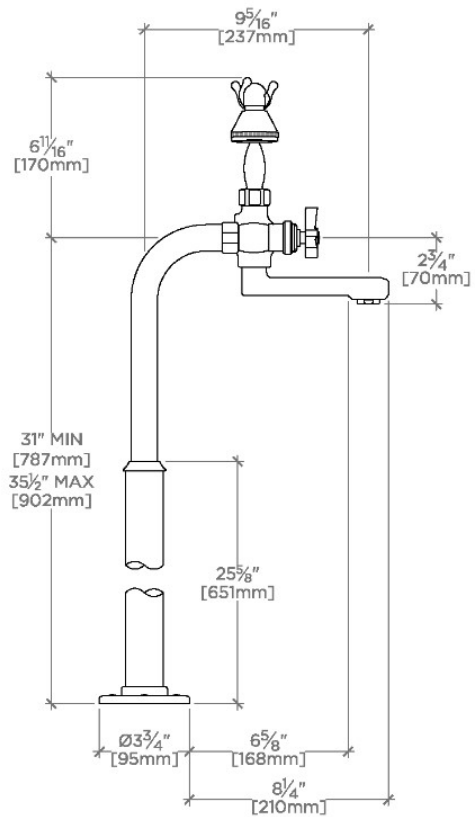
TOP VIEW

SCALE: 1/2"=1'-0"



FRONT VIEW

SCALE: 1/2"=1'-0"



SIDE VIEW

SCALE: 1/2"=1'-0"