

## FINOT

NKM420

Finot One Hole Bar Faucet with Lever Handle



SHOWN IN FINOT ONE HOLE BAR FAUCET WITH LEVER HANDLE | NKM420

### TECHNICAL DETAILS

Deck Thickness Maximum: 64 mm  
Deck Thickness Minimum: 0 mm  
Fittings Hole Diameter: 41 mm  
Handle Turn Angle: Quarter Turn  
Inlet Connection Size: 3/8"  
Inlet Connection Type: Compression Connection  
Hoses  
Restricted Maximum Flow Rate: 4.5 liters/min  
Valve Material: Ceramic  
Water Pressure Maximum: 6.0 bar  
Water Pressure Minimum: 1.5 bar  
Water Pressure Recommended: 3.0 bar

### INSPIRATION

Finot seamlessly blends meticulous details with contemporary sensibility. A true integration of design and engineering expertise, this collection is comprised of parts that are decisively cast and forged to achieve painstaking precision and refinement.

### CODES & STANDARDS

### PRODUCT FEATURES

Features Lever Handle

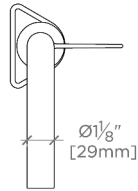
Stocked in Chrome, Nickel, Brass and Dark Nickel

Available in 1.2gpm (4.5L/min) flow rate

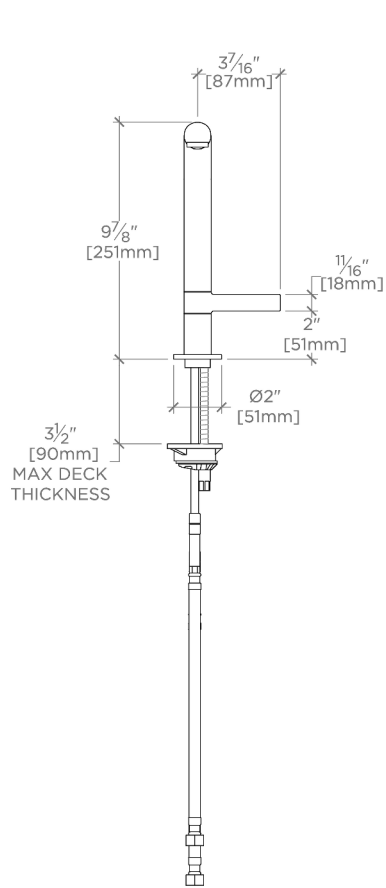
### CERTIFICATIONS

### PRODUCT (NOTES)

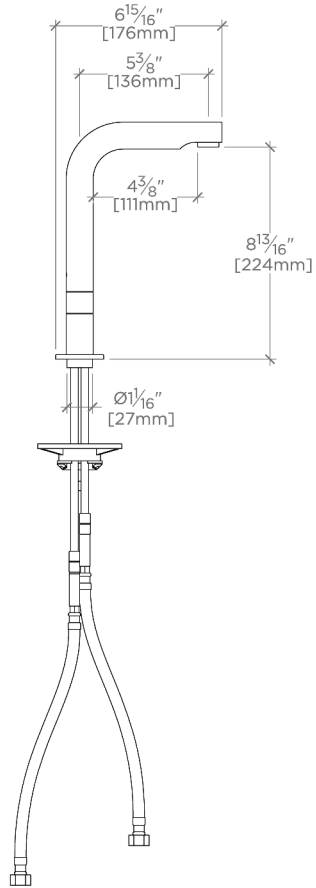
Finot One Hole Bar Faucet with Lever Handle



TOP VIEW                      SCALE: 1/2"=1'-0"



FRONT VIEW                      SCALE: 1/2"=1'-0"



SIDE VIEW                      SCALE: 1/2"=1'-0"