

# WATERWORKS INSTALLATION GUIDELINES

STYLE No. LEWS42, LEWS43, LEWS46, LEWS47,  
Legacy Turned two legs with Centuria Deck or wall  
Mounted Marble Lavatory Sink

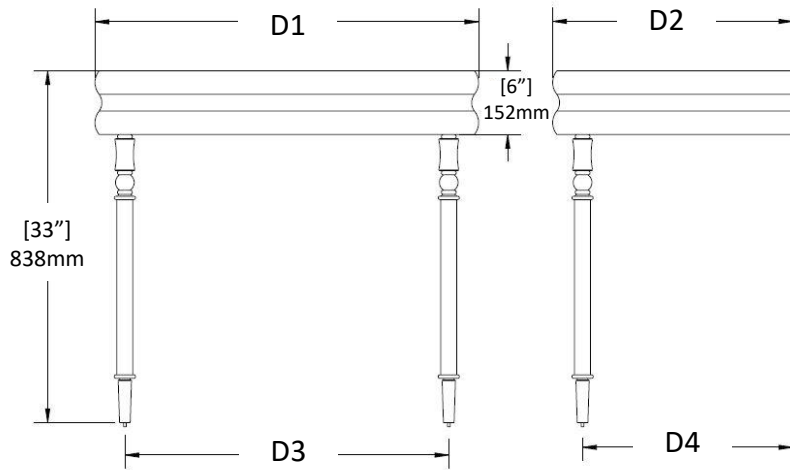
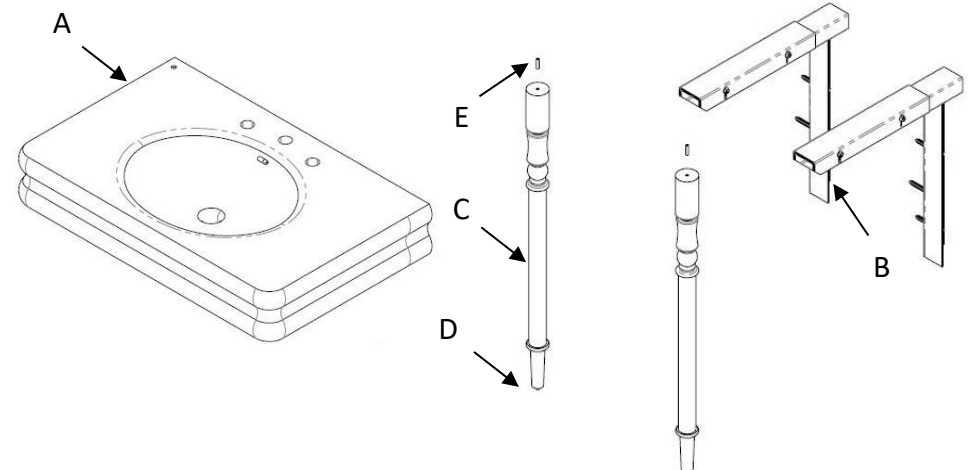
## TECHNICAL DETAILS:

DETAIL	SPECIFICATION
ADJUSTABLE LEVELERS/FEET	YES
LEG MATERIAL	BRASS
TUBE SIZE	1 1/2" [38mm]
WEIGHT (LEGS ONLY)	18 LBS [8KG]
WEIGHT (MARBLE TOP)	SEE BELOW TABLE

	LEWS42	LEWS43	LEWS46	LEWS47
<b>Type</b>	30" Wall Mounted	30" Deck Mounted	36" Wall Mounted	36" Deck Mounted
<b>WEIGHT</b>	176 LBS [80KG]	176 LBS [80KG]	216 LBS [98KG]	216 LBS [98KG]
<b>SINK</b>	CNCS20	CNCS14	CNCS08	CNCS02
<b>WALL BRACKET</b>	106801 (18")	106801 (18")	106803 (22")	106803 (22")
<b>D1</b>	30" [762mm]	30" [762mm]	36" [914mm]	36" [914mm]
<b>D2</b>	19 1/2" [496mm]	22 1/2" [572mm]	19 1/2" [496mm]	22 1/2" [572mm]
<b>D3</b>	24 1/2" [622mm]	24 1/2" [622mm]	30 1/2" [774mm]	30 1/2" [774mm]
<b>D4</b>	16 3/4" [425mm]	19 3/4" [501mm]	16 3/4" [501mm]	19 3/4" [501mm]
<b>D5</b>	24.4" [620mm]	24.4" [620mm]	28.4" [721mm]	28.4" [721mm]

## Contents

- A. Slab Top
- B. Adjustable Wall Support Brackets & Fixings
- C. 2 x Leg Assembly
- D. 2 x Position Pin
- E. 2 x M6 Set Screws



### WARNING:

- This product is extremely heavy. It is STRONGLY recommended that 2 or more persons install this product.
- If no blocking has been installed STOP this installation until structural blocking is available.

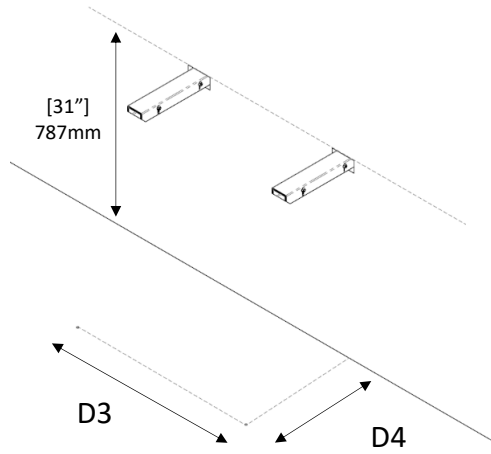
### IMPORTANT:

- To ensure this product is installed properly, you must read and follow these guidelines.
- The owner/user of this product must keep this information for future reference.
- This product must be installed by a professional licensed contractor.
- Be sure your installation conforms to federal, state, and local codes. In the State of Massachusetts, all installations must comply with the rules and regulations set forth within 248 CMR.
- Inspect this product to ensure you have all the parts required for proper installation.
- CAUTION: Use only a strap wrench or protected/smooth-jaw wrench on ANY finished surface.
- Ensure the floor is level and the weight of this product will be adequately supported.
- The use of certain plumber's putty may stain stone or tile surfaces.
- CAUTION: Take caution when applying the silicone and only use the necessary amount to ensure it won't cause staining.
- Use painter's tape to ensure a clean application.
- If further assistance is required, please contact Product Support at 1-800-927-2120 Monday through Friday, 8am – 6pm EST.

# WATERWORKS INSTALLATION GUIDELINES

STYLE No. LEWS42, LEWS43, LEWS46, LEWS47,  
Legacy Turned two legs with Centuria Deck or wall  
Mounted Marble Lavatory Sink

Fig 1



1. Before the installation, plan and ensure there is the necessary structural blocking and holes for pipework already prepared.
2. Fix the Adjustable Wall Support Brackets & Fixings (B) so that the top of the brackets is 31" (787mm) from the finished floor level. Refer to the separate **Universal Support Bracket Installation Guide** for detailed instructions. Complete the wall finishing (e.g., tiling or painting) before proceeding to the next step.
3. At the center point of each leg position (see dimensions D3 & D4), drill a hole in the floor using a ¼" (7mm) drill bit to a depth of 10mm. Refer to **Fig. 1** for positioning details.
4. Insert the Position Pins (D) into the bottom of both Leg Assemblies (C). Then fit the M6 set screws (F) into the threaded holes in the base of each leg. See **Fig. 2** for correct assembly.
5. Carefully screw each Leg Assembly (C) into the threaded inserts located on the underside of the Slab Top (A). See **Fig. 3** for orientation and alignment.

Fig 2

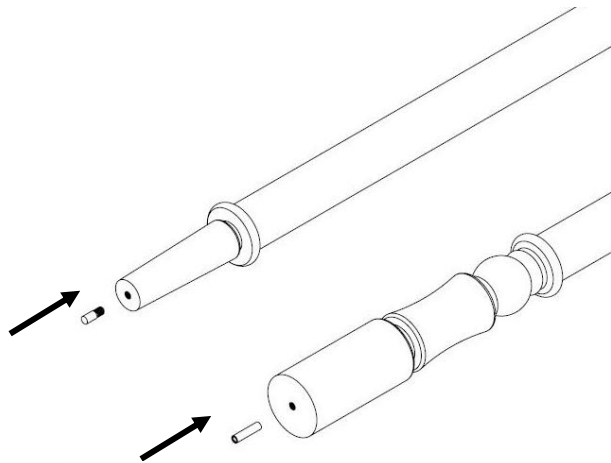
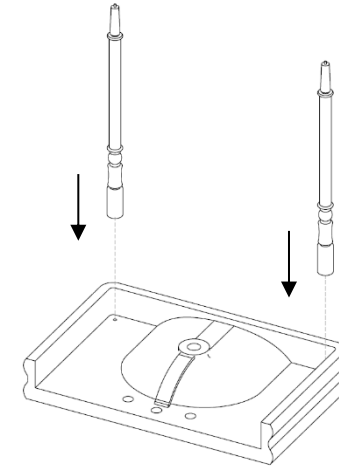


Fig 3



6. Thoroughly clean all mating surfaces (sink slab, wall brackets, leg tops, etc.) to remove any dust, debris, or oils that may interfere with adhesion.
7. Apply a continuous bead of high-quality adhesive silicone to the top surface of the Adjustable Wall Support Brackets & Fixings (B). Carefully lower the Slab Top (A) into position so it rests on the wall brackets and aligns with the Position Pins (D) inserted into the floor holes.
8. Using a spirit level, ensure the Slab Top (A) is level and make final height and tilt adjustments using the Adjustable Wall Support Brackets & Fixings (B) and by rotating the leg feet.
9. Ensure the top surface is level and make final adjustments on the Adjustable Wall Support Brackets and by rotating the leg feet.
10. Apply a suitable silicone sealant to all exposed joints and edges where the Slab Top (A) meets the wall and washstand. Wipe away any excess for a clean finish.
11. Once all adhesive and sealants have fully cured, proceed to connecting the plumbing fixtures and faucet according to the manufacturer's instructions.

Fig 4

